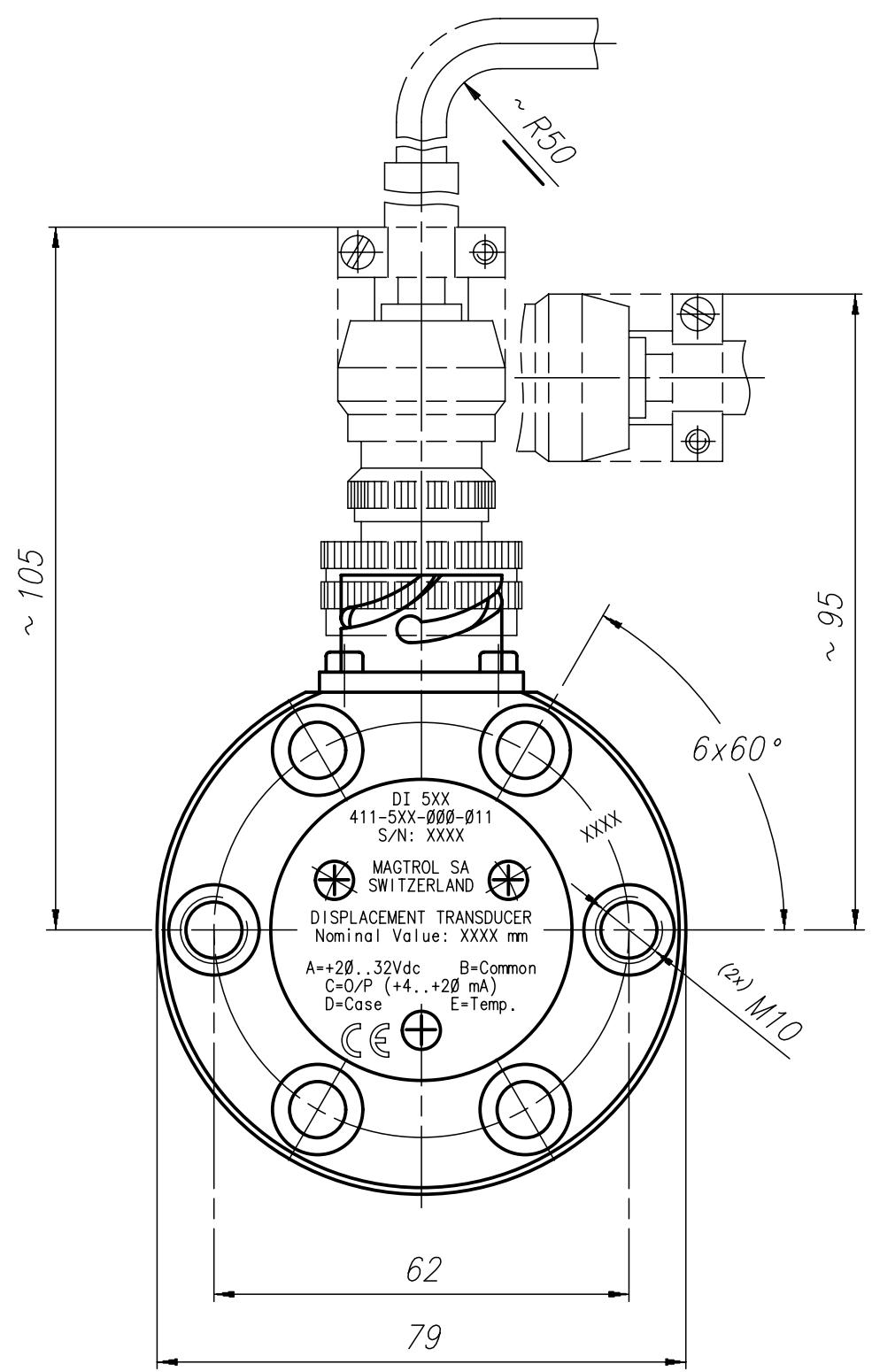
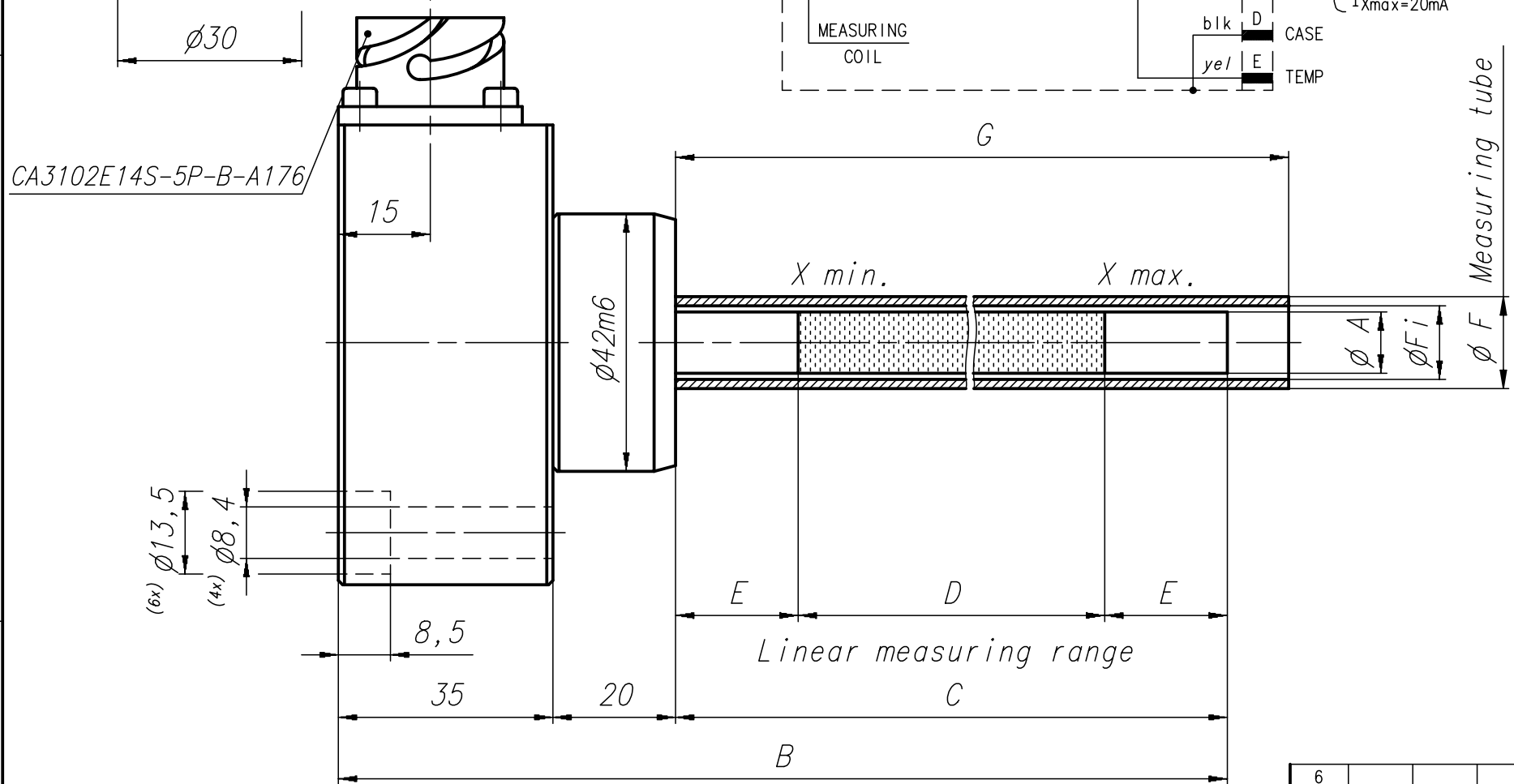
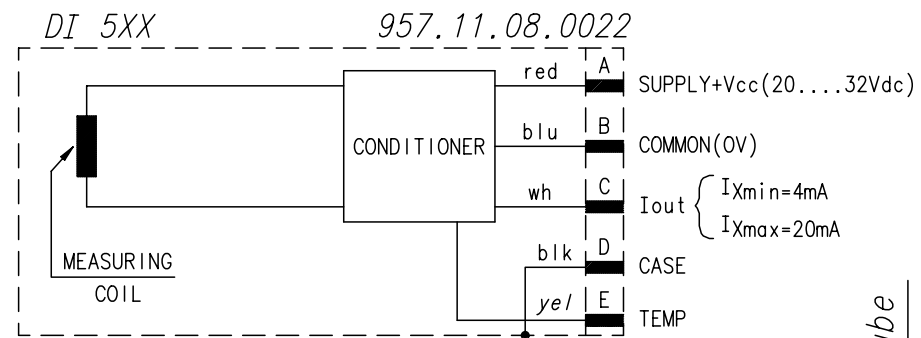
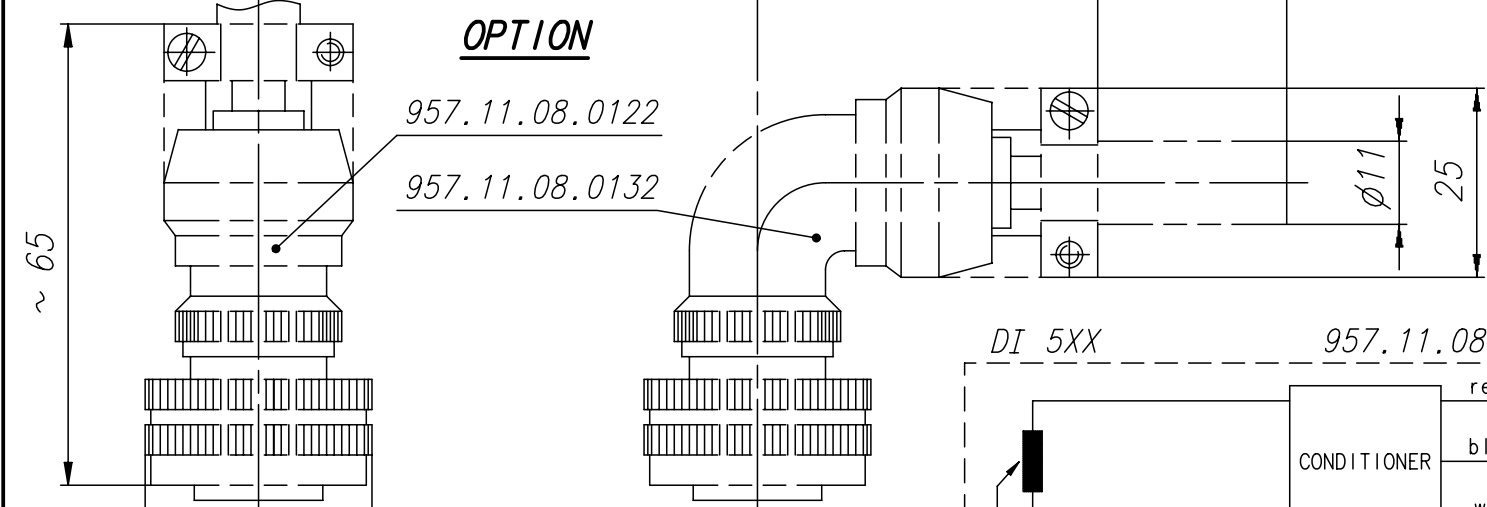


THE INFORMATION DISCLOSED HEREIN WAS ORIGINATED BY AND IS THE PROPERTY OF MAGTROL SA. MAGTROL SA RESERVES ALL PATENT, PROPRIETARY, DESIGN, USE, SALE, MANUFACTURING AND REPRODUCTION RIGHTS THERETO.



ORDERING No	TYPE	∅A	B	C	D	E	∅F	∅Fi	G
411-505-000-011	DI505	10	145	90	50	20	13	11	100
411-510-000-011	DI510	10	195	140	100	20	15	12	150
411-511-000-011	DI511	10	255	200	160	20	15	12	210
411-512-000-011	DI512	10	345	290	250	20	15	12	300
411-513-000-011	DI513	20	505	450	400	25	26	22	460
411-514-000-011	DI514	20	735	680	630	25	26	22	690
411-515-000-011	DI515	20	1105	1050	1000	25	28	24	1060
411-516-000-011	DI516	10	395	340	300	20	15	12	350

6														
5														
4	21.02.02	01067	C.S.	N.B.	2x M10 added !									
3	11.05.01	00495	C.S.	N.B.	Engraving updated !									
2	09.09.97	97276	Corinne B.	N. Buri	P/N: 505 added									
1	14.07.97	97234	Corinne B.	N. Buri	Dimension Fi added									
Rev.	Date	PM	Drawn	Appr.	Repl. by : Repl. for :									
Tolerances: ± mm to 50 mm; ± mm over 50 mm														
Material:														
Finish :					Scale <b>1:1</b>									
CONTACTLESS DISPLACEMENT TRANSDUCERS					<table border="1"> <tr> <td>Drawn</td> <td>31.01.96</td> <td>Corinne B.</td> </tr> <tr> <td>Checked</td> <td>29.05.96</td> <td>N. Buri</td> </tr> <tr> <td>Approved</td> <td>29.05.96</td> <td>Monot</td> </tr> </table>	Drawn	31.01.96	Corinne B.	Checked	29.05.96	N. Buri	Approved	29.05.96	Monot
Drawn	31.01.96	Corinne B.												
Checked	29.05.96	N. Buri												
Approved	29.05.96	Monot												
P/N: see table      TYPE: see table					DRAWING N° <b>411-510-000V011</b>									