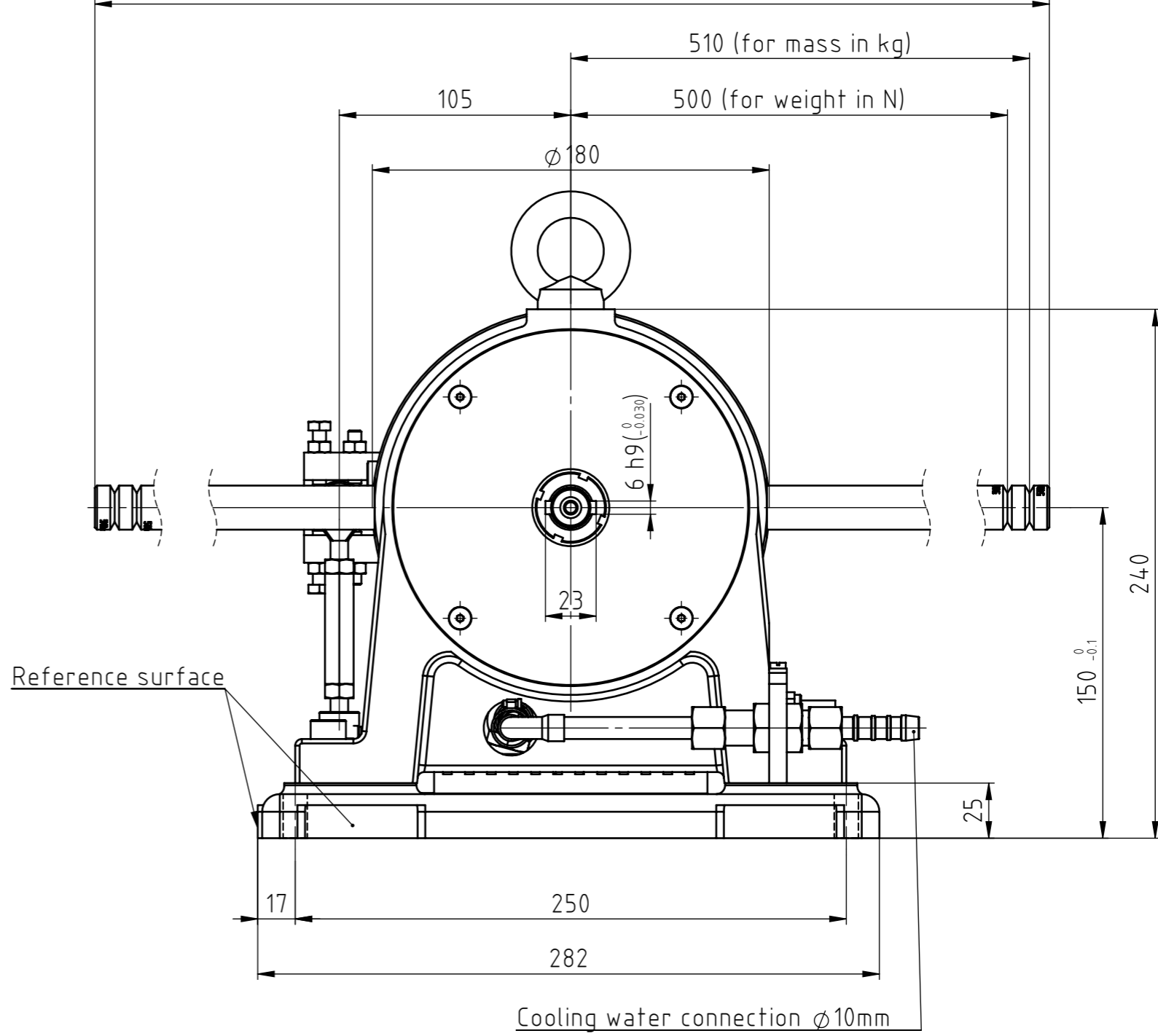
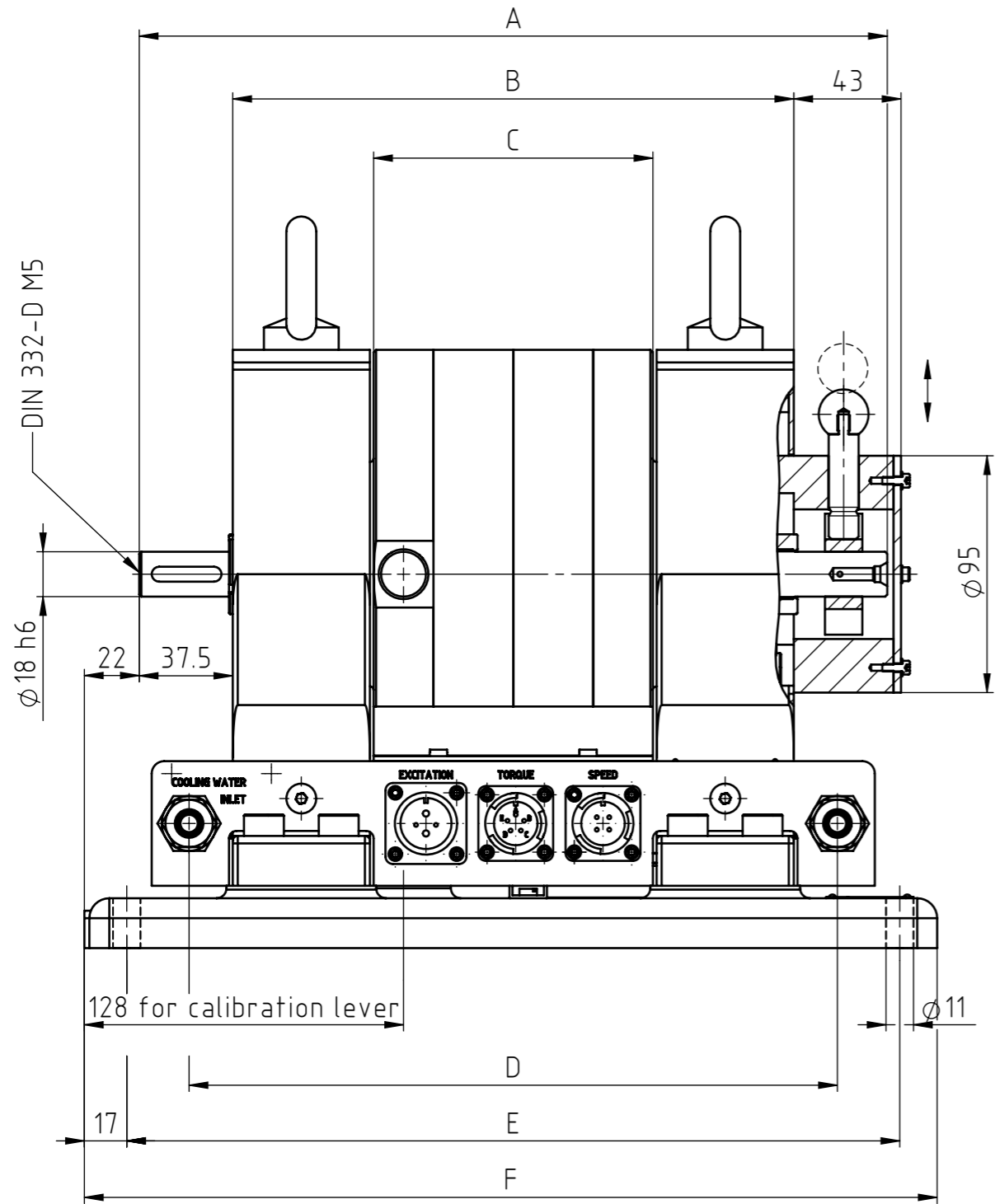
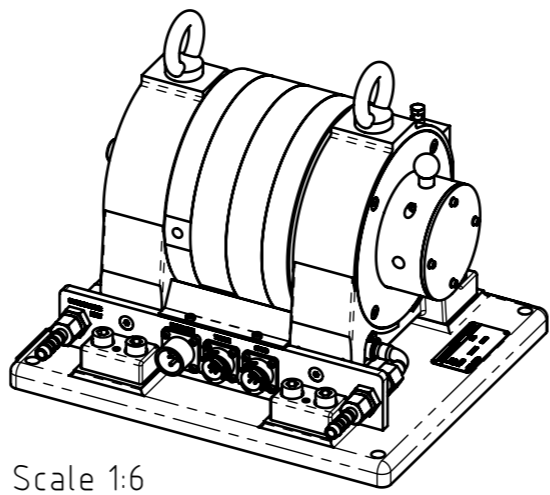


THE INFORMATION DISCLOSED HEREIN WAS ORIGINATED BY AND IS THE PROPERTY OF MAGTROL SA. MAGTROL SA RESERVES ALL PATENT PROPRIETARY, DESIGN, USE, SALE, MANUFACTURING AND REPRODUCTION RIGHTS THERETO.



Type	A	B	C	D	E	F
1WB 65-MB	300	225	112	260	310	342
2WB 65-MB	370	295	182	330	380	412



Scale 1:6

6						
5						
4						
3						
2						
1	11.09.19	18014	cpit	blot	Text modification (Nm) by (for mass in kg) and (kpm) by (for weight in N); and remove the text 'Calibration with weight in kg'	
Rev.	Date	PM	Drawn	Appr.	Repl. by: id. 4.9.86	
					Repl. for:	

Tolerances: ± mm to 50mm, ± mm over 50mm

Material:

Finish:

Dynamometers 1+2WB 65-MB  
with mechanical rotor locking device

Scale 1:2.5

DRAWING N° 312-105-000V101

Drawn	20.02.02	A.Rappo
Checked		
Approved	20.02.02	N.Buri

1

2

3

1

2

3