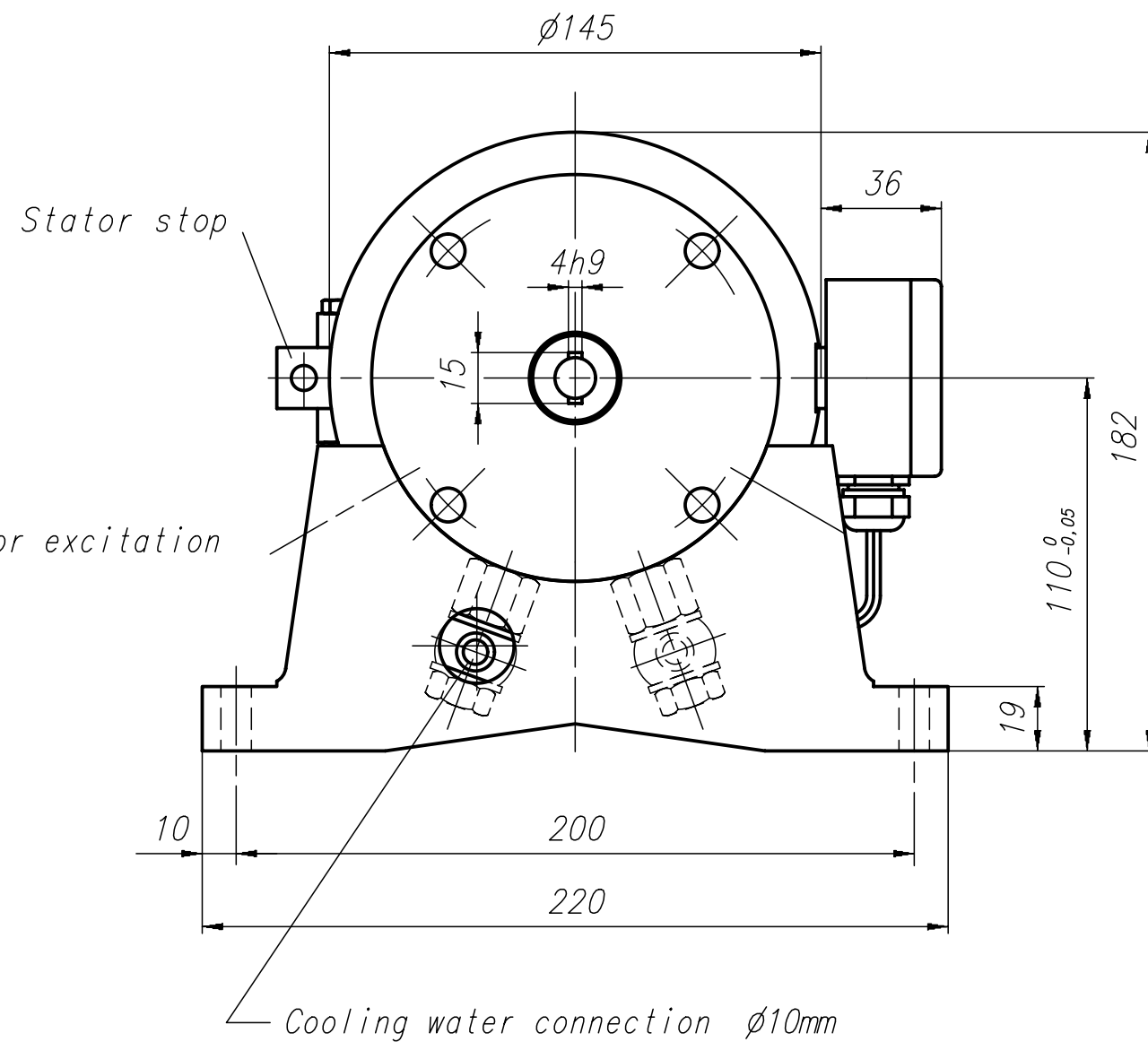
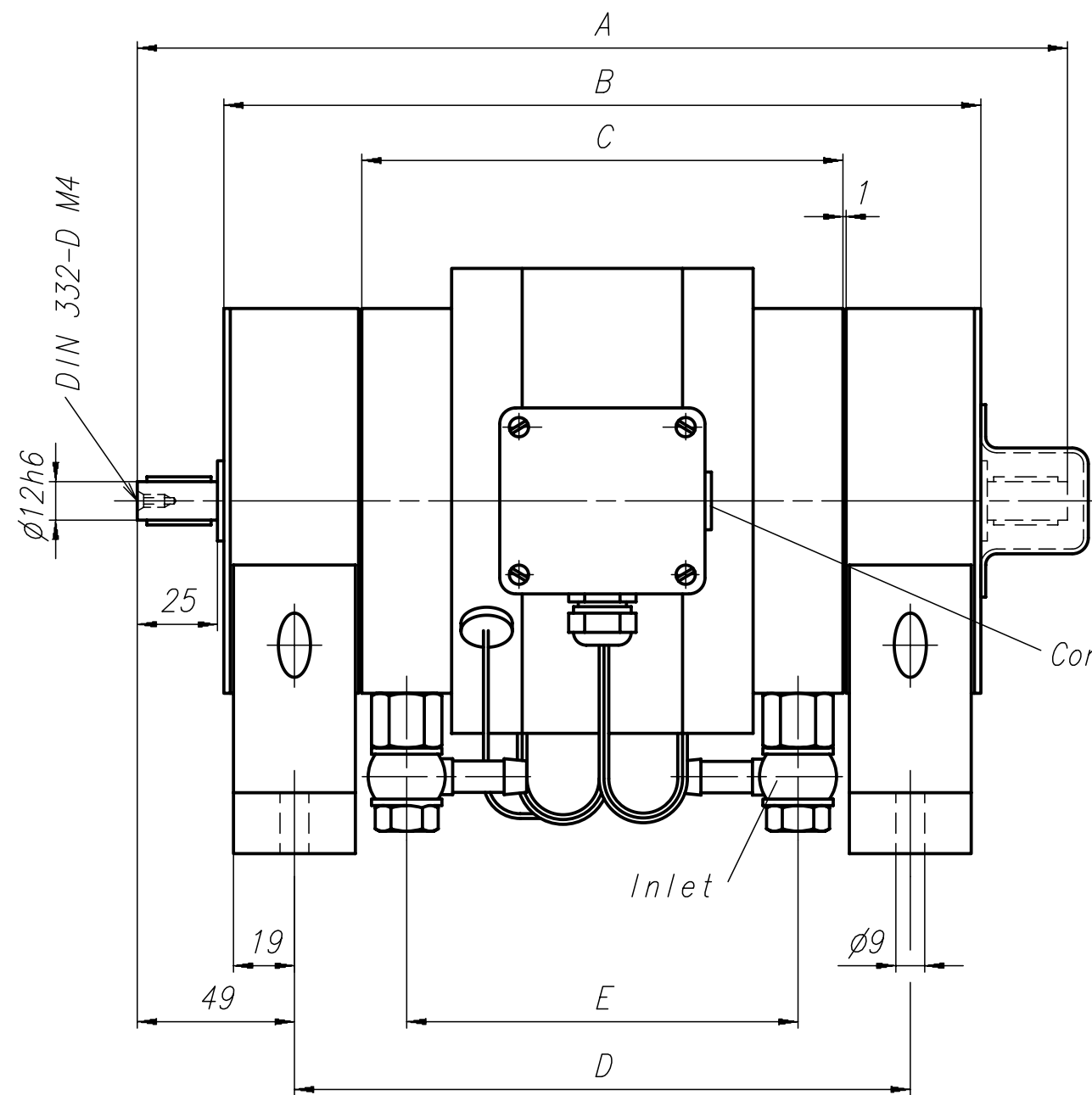


THE INFORMATION DISCLOSED HEREIN WAS ORIGINATED BY AND IS THE PROPERTY OF MAGTROL SA. MAGTROL SA RESERVES ALL PATENT, PROPRIETARY, DESIGN, USE, SALE, MANUFACTURING AND REPRODUCTION RIGHTS THERETO.



TYPE		A	B	C	D	E
1WB43-IS	1PB43-IS	240	186	100	142	72
2WB43-IS	2PB43-IS	290	236	150	192	122

6										
5										
4										
3										
2										
1										
Rev.	Date	PM	Drawn	Appr.	Repl. by :					
					Repl. for:					
Tolerances: \pm mm to 50 mm; \pm mm over 50 mm								MAGTROL SA		
Material:						Scale		Drawn	29.10.98	arap
Finish :								Checked		
								Approved	3.11.98	nbur
Dynamometers						DRAWING N°				
1+2WB43-IS 1+2PB43-IS								311-104-000V021		