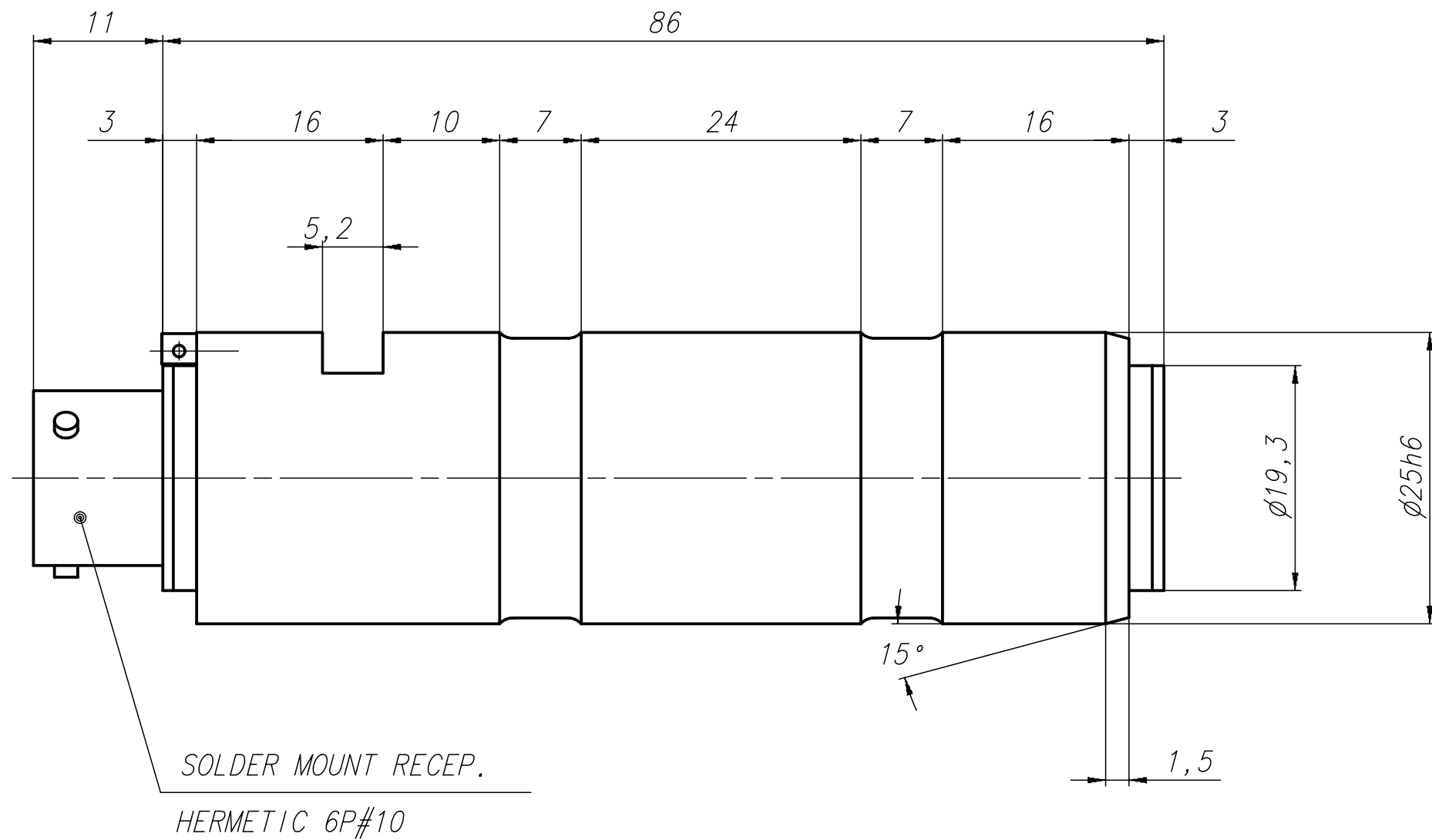
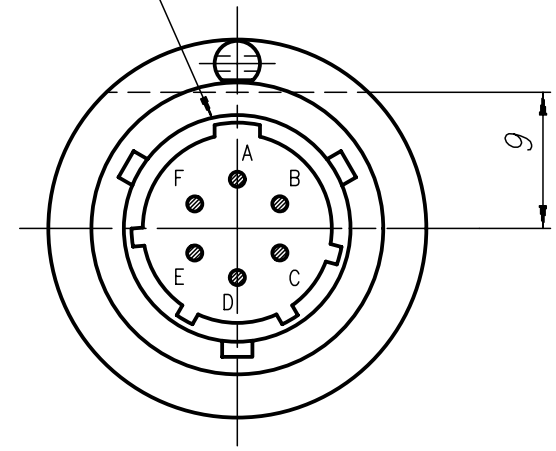


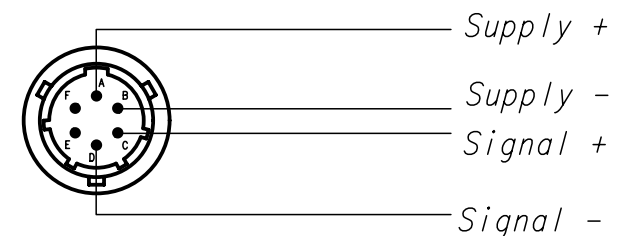
THE INFORMATION DISCLOSED HEREIN WAS ORIGINATED BY AND IS THE PROPERTY OF MAGTROL SA. MAGTROL SA RESERVES ALL PATENT, PROPRIETARY, DESIGN, USE, SALE, MANUFACTURING AND REPRODUCTION RIGHTS THERETO.



MASTER KEY



SOLDER MOUNT RECEP.
HERMETIC 6P#10



Weight: ~ 0,3kg

6									
5									
4									
3									
2									
1									
Rev.	Date	PM	Drawn	Appr.	Repl. by :				
					Repl. for:				
Tolerances: \pm mm to 50 mm; \pm mm over 50 mm								MAGTROL SA	
Material: 1.4057						Scale 2:1	Drawn	20.04.95	Corinne P.
Finish :							Checked	20.04.95	N.Buri
						Approved	20.04.95	Db	
LOAD MEASURING PIN LB 233 20kN						DRAWING N°			
P/N: 122-233-000-021						TYPE: LB 233		122-233-000V021	