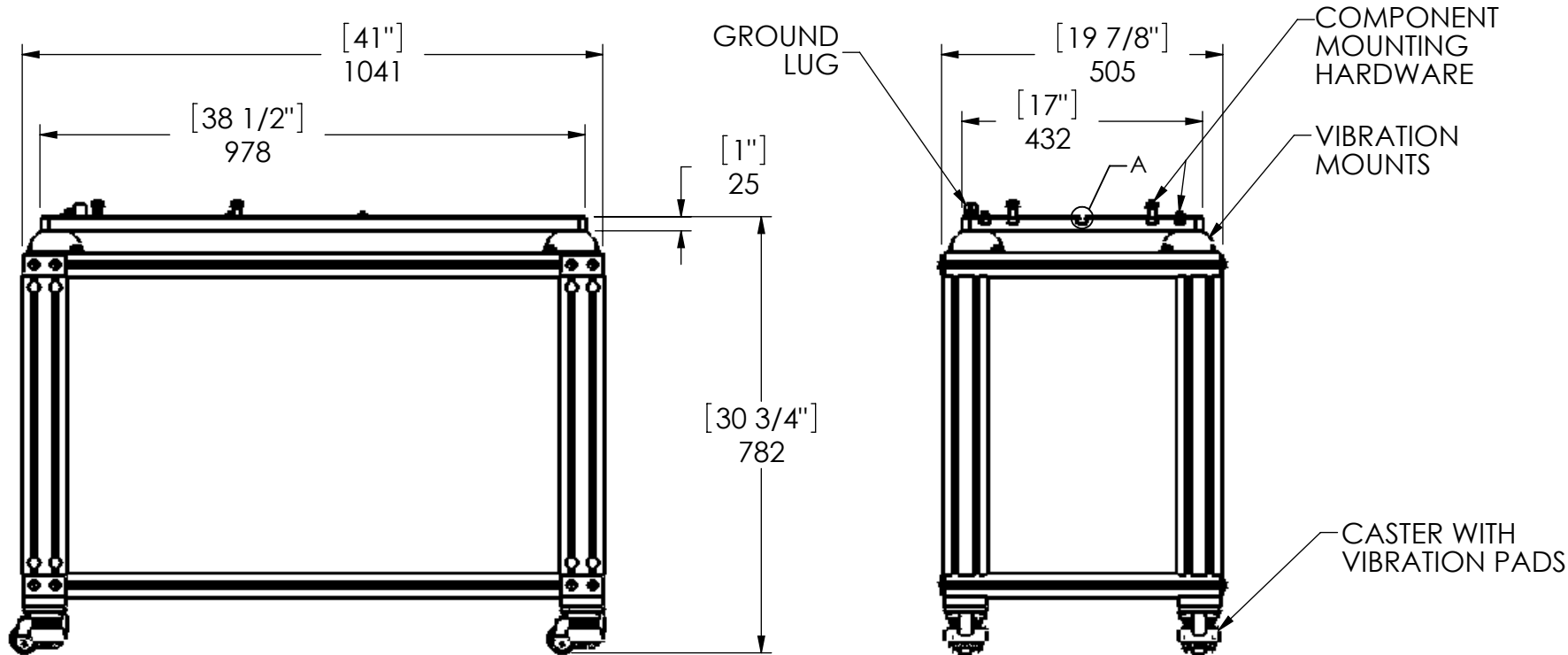
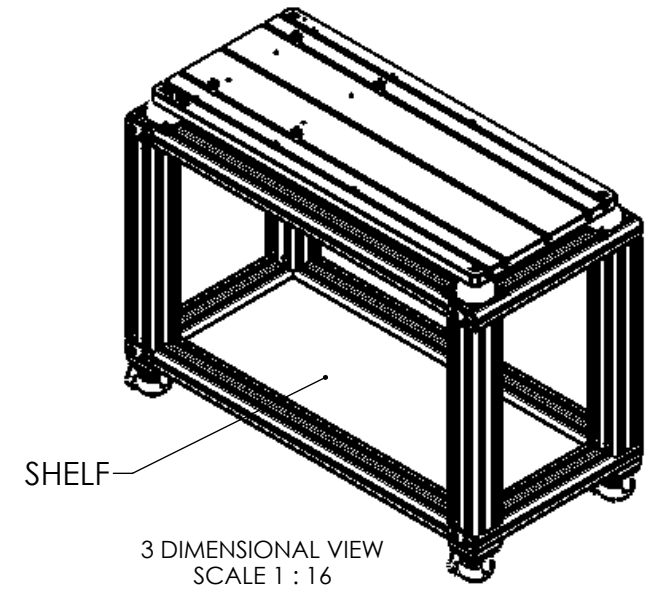
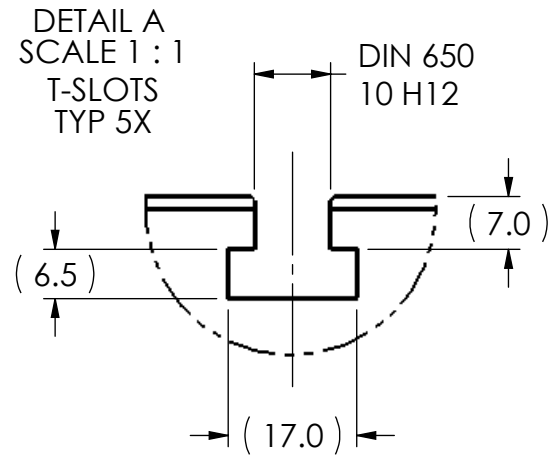
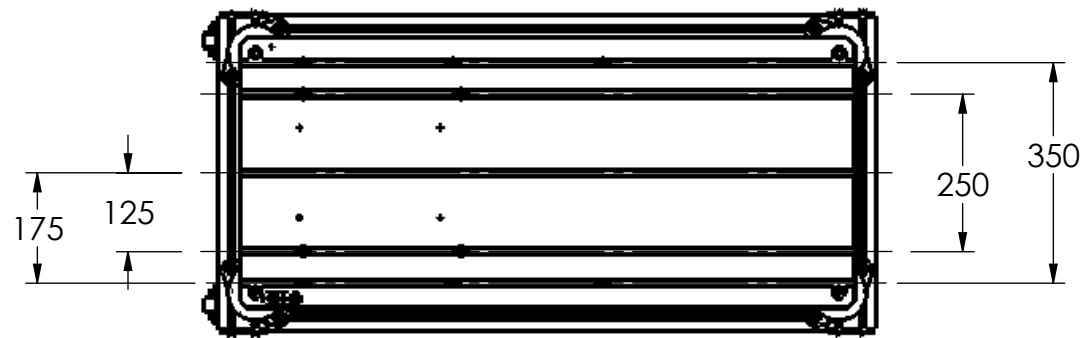


**SOLID MODEL AVAILABLE**



<b>PT BASE PLATE MOUNTING HARDWARE</b>			SCALE 1:2
FLAT HEAD CAP SCREW M6x1.0 X 20mm	T-NUT, M6x1.0 X 10mm SLOT		
<b>HD-100 THRU 500 SERIES DYNAMOMETER, MOUNTING HARDWARE</b>			SCALE 1:2
SOCKET HEAD CAP SCREW, M8x1.25 X 25mm	M8 WASHER	T-NUT, M8x1.25 X 10mm SLOT	
<b>HD-700 SERIES DYNAMOMETER, MOUNTING HARDWARE</b>			SCALE 1:2
SOCKET HEAD CAP SCREW, M8x1.25 X 30mm	M8 WASHER (THICK)	T-NUT, M8x1.25 X 10mm SLOT	

- NOTES:
1. DIMENSIONS ARE FOR REFERENCE ONLY; DIMENSIONS IN [ ] ARE INCHES.
  2. TABLE IS DESIGNED FOR SHORT BASE (-0100) HD-100, 400, 500 AND 700 SERIES DYNAMOMETERS.
  3. FOR TABLES ORDERED WITH HD-710 AND HD-715 DYNAMOMETERS, BLOWERS WILL BE SHIPPED MOUNTED UNDER THE TABLE TOP (A BLOWER MOUNTING HARDWARE KIT MAY BE PURCHASED IF TABLE IS NOT ORDERED AT THE SAME TIME AS THE DYNAMOMETER).

MATERIAL:	DESIGN	DTW	12/06/04	<b>MAGTROL INC.</b> 70 GARDENVILLE PKWY, W. BUFFALO, NEW YORK 14224-1322
	DRAWN	JEF	03/30/05	
FINISH:	CHECKED	DTW	06/18/09	
THIRD ANGLE PROJECTION				TITLE:
THIS DRAWING AND SPECIFICATION CONTAINS PROPRIETARY INFORMATION TO MAGTROL INC. ANY DISCLOSURE OR REPRODUCTION OF THIS DOCUMENT WITHOUT WRITTEN AUTHORIZATION FROM MAGTROL INC. IS EXPRESSLY PROHIBITED	UNLESS OTHERWISE SPECIFIED: DIMENSIONS ARE IN MILLIMETERS, DIAMETERS CONCENTRIC: 0.08 TIR, FACES PERPENDICULAR: 0.08 INTERPRETATION PER ASME Y14.5M-1994 REMOVE ALL BURRS AND BREAK SHARP EDGES 0.13/0.25 X 45°, ALL INSIDE CORNERS TO BE R 0.5 MAX. TOLERANCES: X ±0.4 X.XX ±0.13 X.X ±0.25 ANG. ±1° SURFACE FINISH 3.2 μm MAX. U.O.S.			TAB 1457S, DYNAMOMETER TABLE ASSEMBLY
	DRAWING NUMBER:			REV
	005032			A
SIZE	SCALE	SHEET #		
B	1:12	2 OF 2		