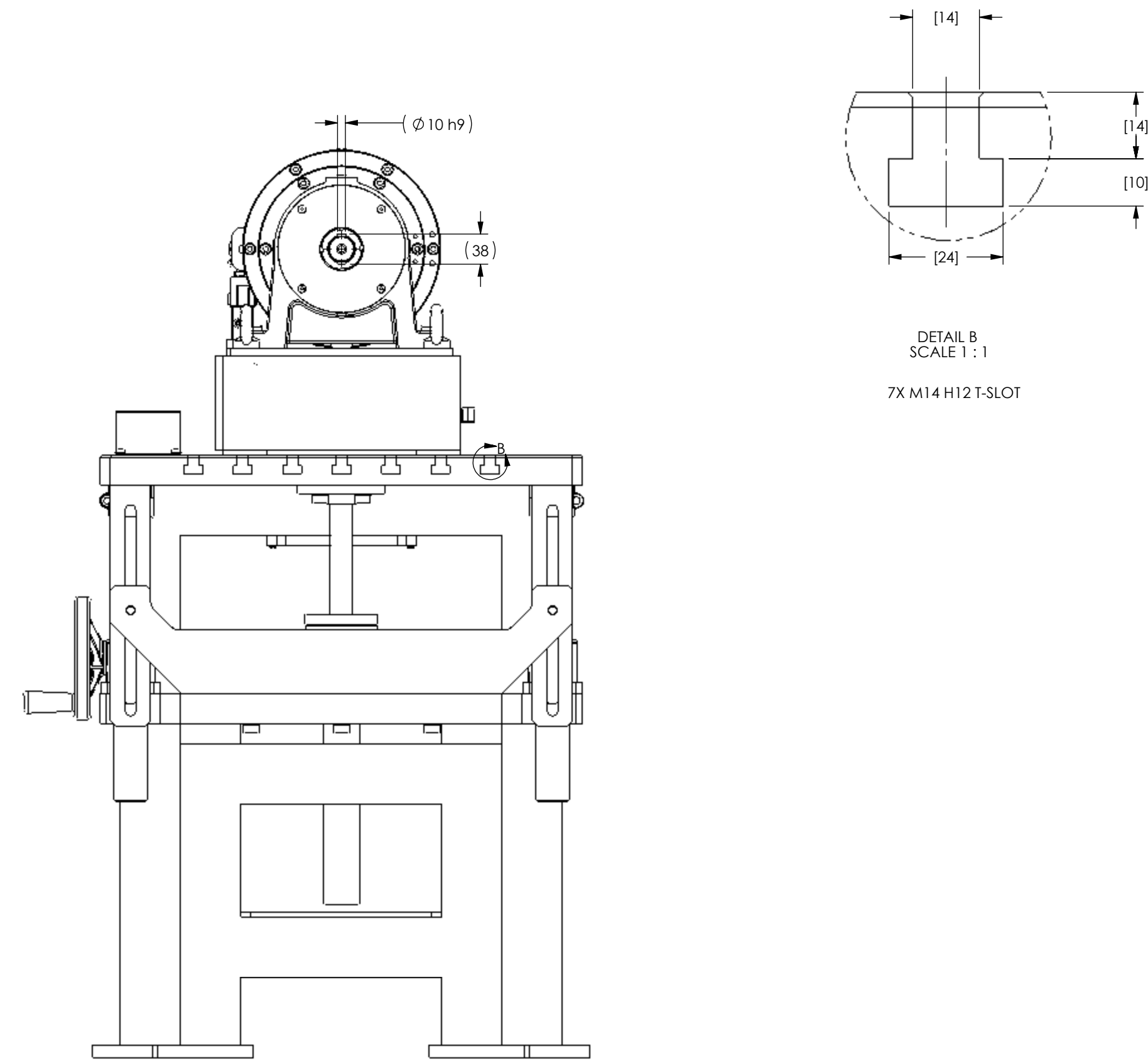
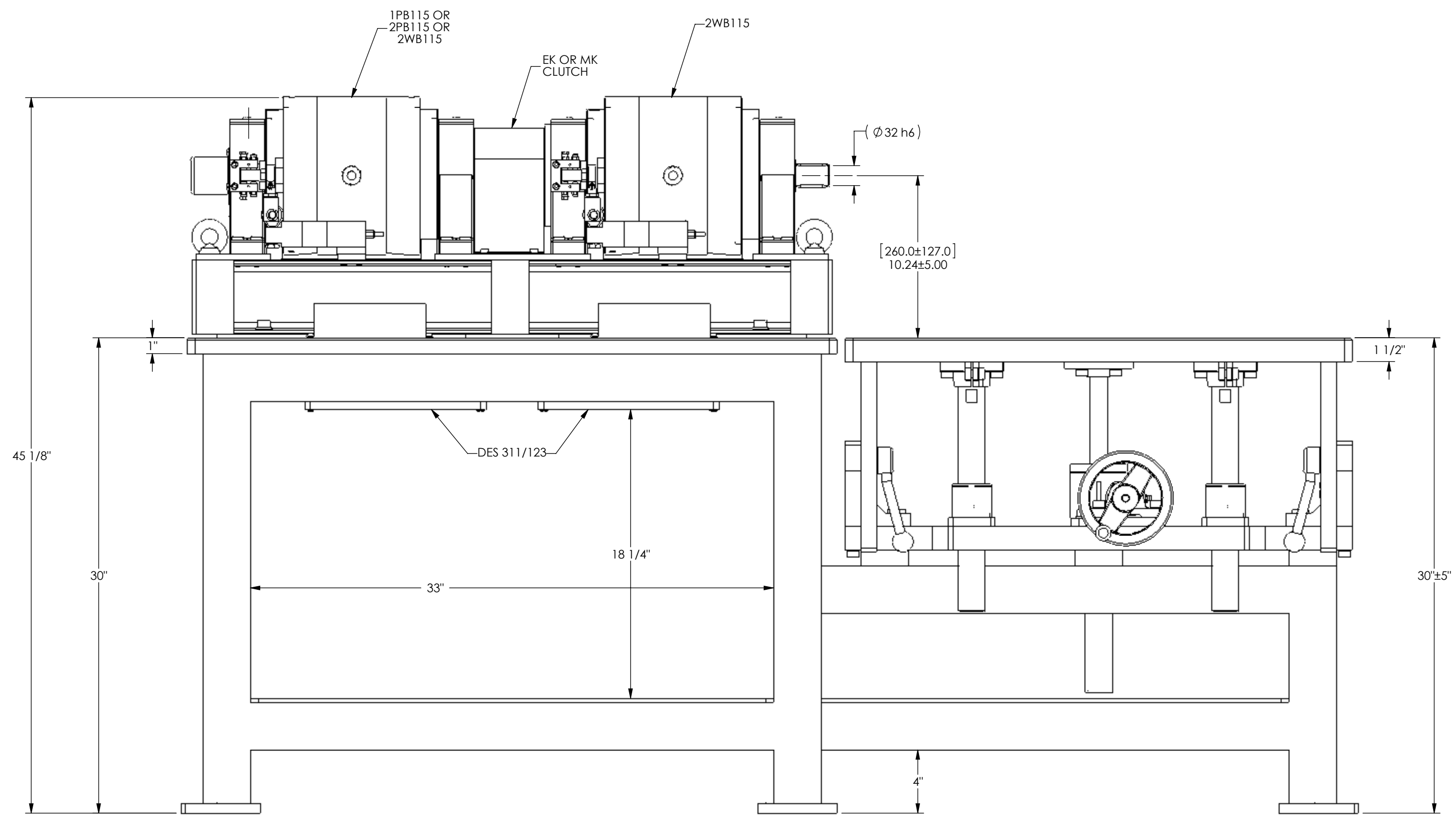
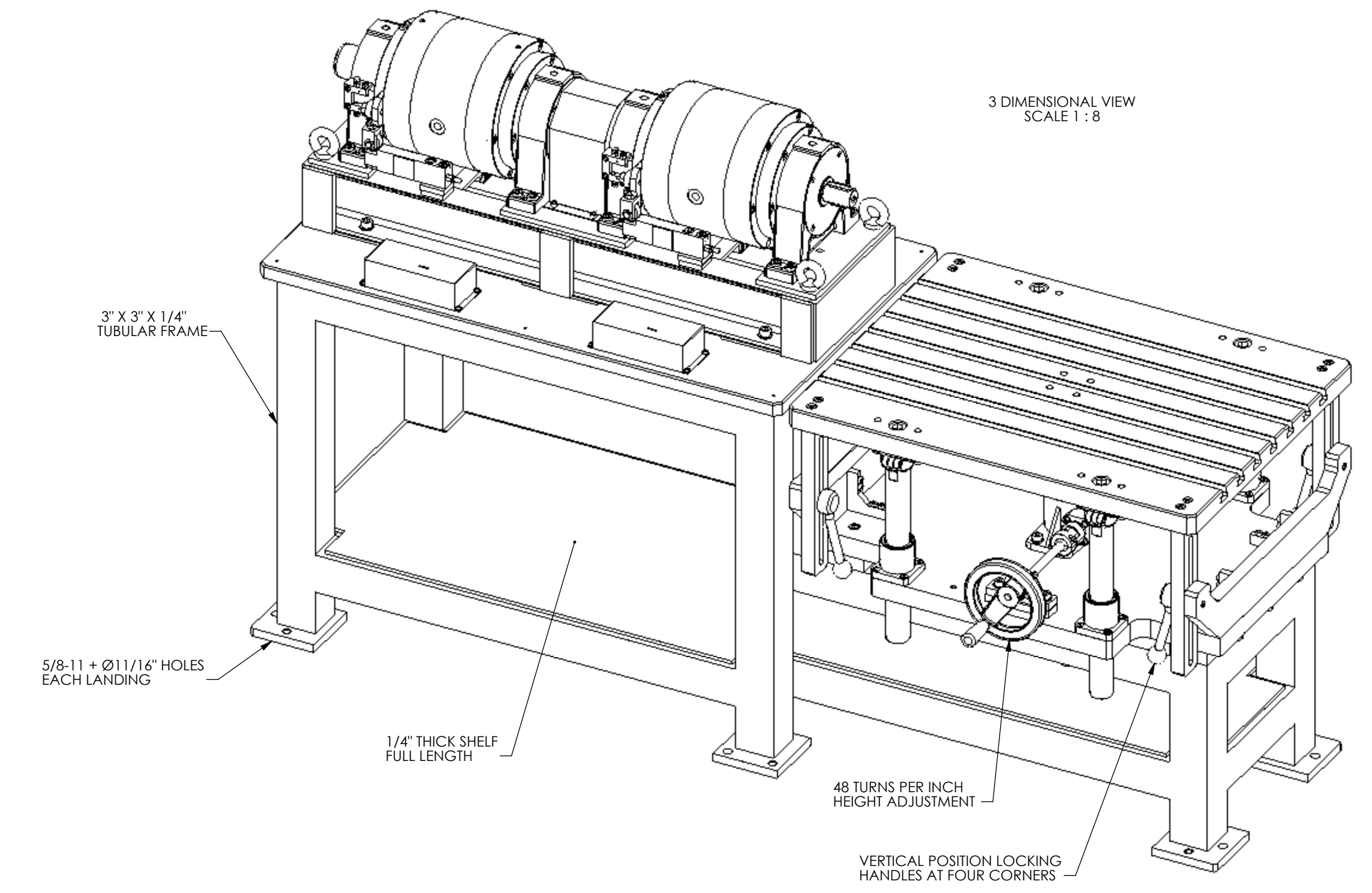
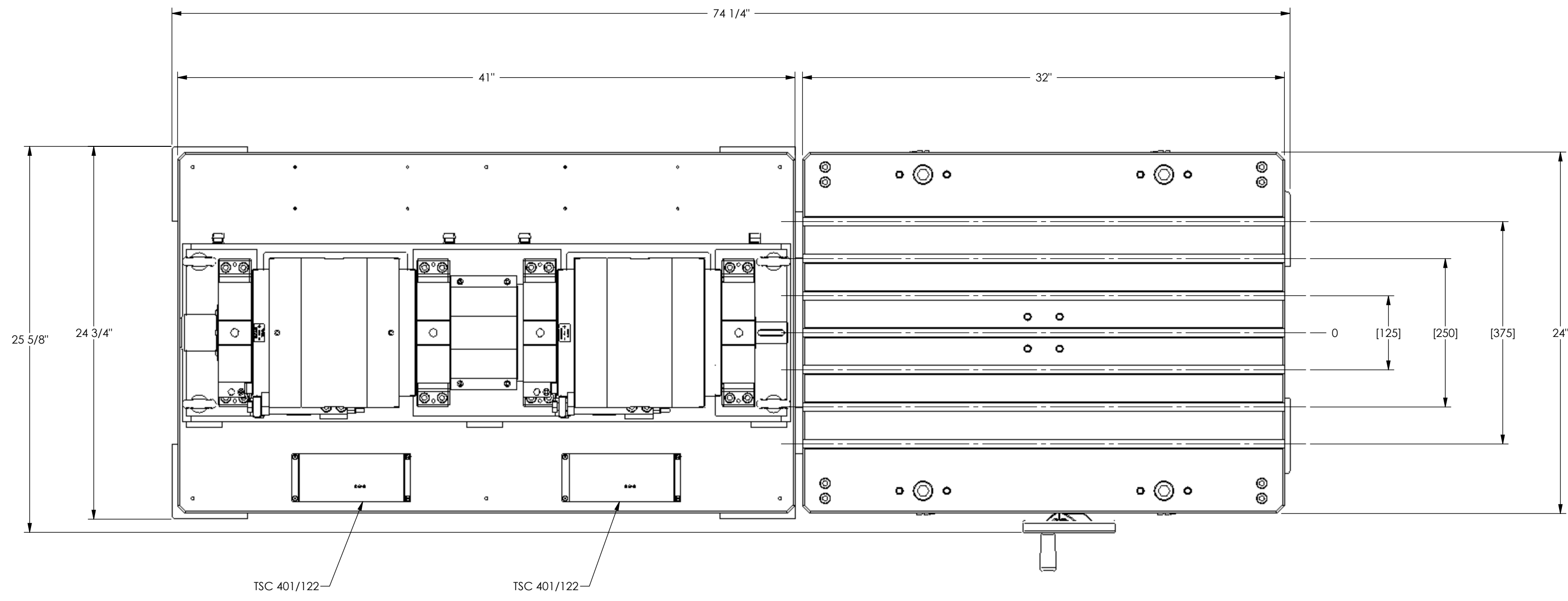


SOLID MODEL AVAILABLE



NOTE:
DIMENSIONS IN [] ARE MILLIMETERS
2WB115 TANDEM NOT INCLUDED

MATERIAL	DESIGN	DTW	01/26/09	<p>MAGTROL INC. 70 GARDENVILLE PKWY, W. BUFFALO, NEW YORK 14224-1322</p>
FINISH	DRAWN	DTW	02/06/12	
	CHECKED			
THIRD ANGLE PROJECTION	<small>UNLESS OTHERWISE SPECIFIED: DIMENSIONS ARE IN INCHES DIAMETERS CONCENTRIC-.003 TIR FACES PERPENDICULAR-.003 INTERPRETATION PER ASME Y14.5M-1994 REMOVE ALL BURRS AND BREAK SHARP EDGES .005/010 X 45° ALL INSIDE CORNERS TO BE .02 R MAX. TOLERANCES: XX .±.01 FRAC. ±1/64" XXX ±.005 ANG. ±1° SURFACE FINISH 125 RMS MAX. U.O.S.</small>			<small>REV</small> TITLE TAB 0115TL LIFT TABLE, 2WB115 TANDEM <small>ISSUED BY: 204127 / 006408 / 310225</small> DWG. NO.
LETTER	DATE	BY	ECN	DESCRIPTION
REVISIONS				
SIZE	SCALE	SHEET #		
D	1:6	1 OF 1		

LETTER	DATE	BY	ECN	DESCRIPTION
REVISIONS				