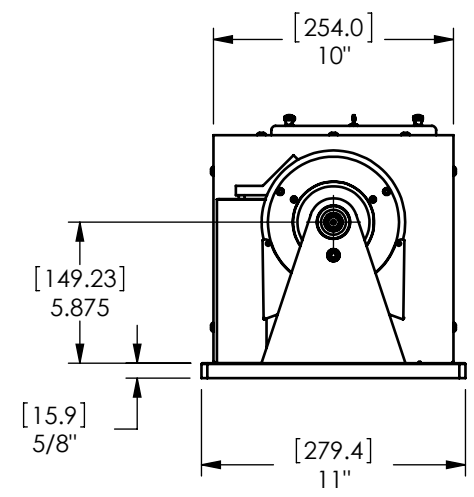
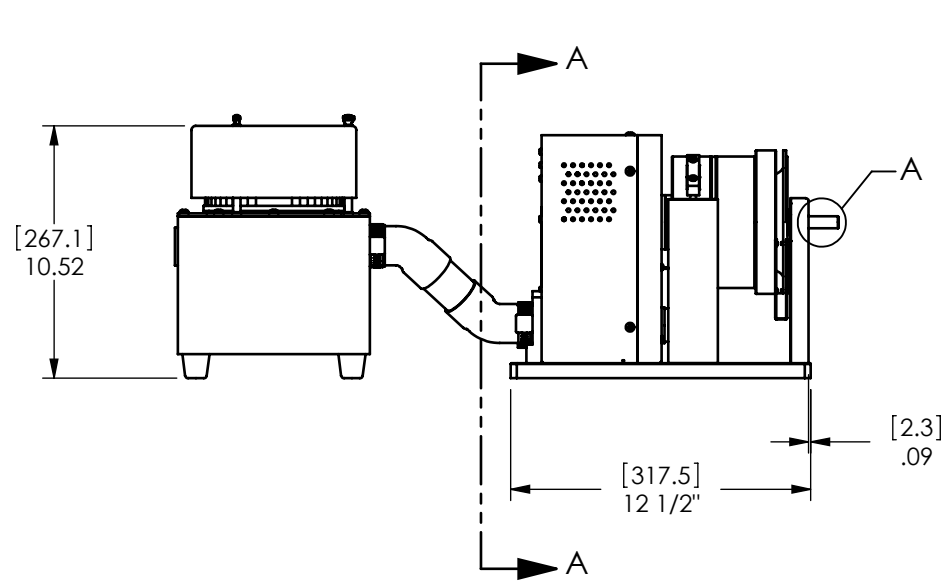
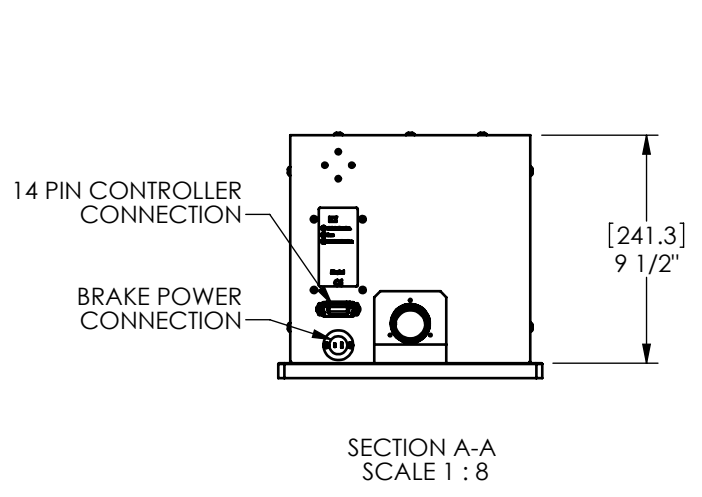
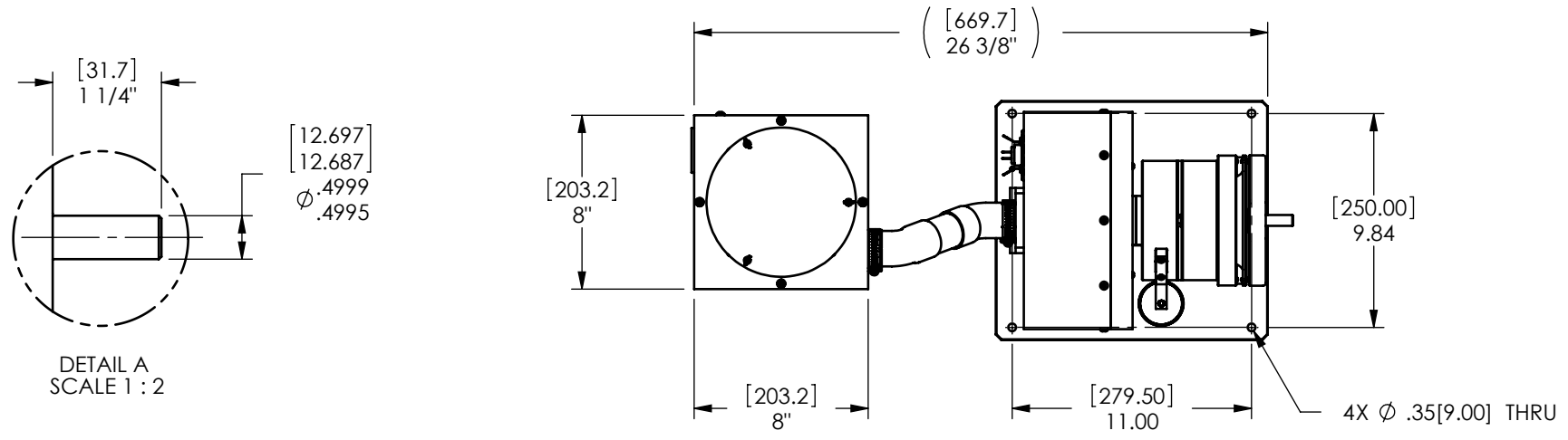
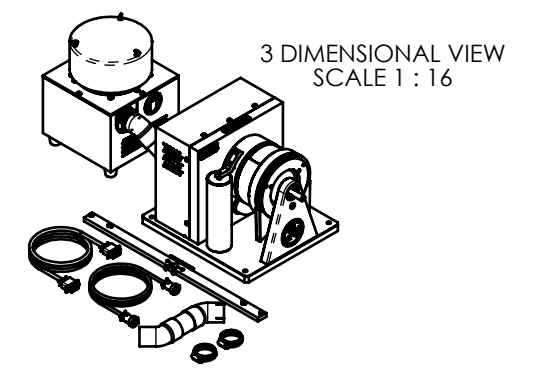


MODEL	TORQUE MEASURE UNIT CODE (-XXX)	STOCK CODE	MAXIMUM TORQUE RANGE	DRAG TORQUE DE-ENERGIZED AT 1000 RPM	NOMINAL INPUT INERTIA		MAXIMUM POWER		MAXIMUM SPEED (RPM)	COOLING METHOD	BLOWER MODEL
					(lb•ft•s ²)	(kg•m ²)	5-MINUTE (Watts)	CONTINUOUS (Watts)			
HD-710-XXX-0100	5N	006704	3.10 N m	0.013 N m	5.51 x 10 ⁻⁴	7.47 x 10 ⁻⁴	1,500	935	25,000	BLOWER	BL-001
	5NA	006705									BL-001-A
	6N	005901	440 oz in	2.0 oz in							BL-001
	6NA	005904									BL-001-A
	7N	005902	31.0 kg cm	0.14 kg cm							BL-001
	7NA	005905									BL-001-A
	8N	005903	3.10 N m	0.013 N m							BL-001
	8NA	005906									BL-001-A

SOLID MODEL AVAILABLE



INSTALLATION DRAWING

MATERIAL: -	DESIGN	-	-		MAGTROL INC. 70 GARDENVILLE PKWY, W. BUFFALO, NEW YORK 14224-1322	
	DRAWN	JEF	01/26/07			
FINISH: -	CHECKED	AJC	03/04/11	TITLE: HD-710-0100 DYNAMOMETER		
	THIRD ANGLE PROJECTION			UNLESS OTHERWISE SPECIFIED: DIMENSIONS ARE IN INCHES DIAMETERS CONCENTRIC: .003 TIR FACES PERPENDICULAR: .003 INTERPRETATION PER ASME Y14.5M-1994 REMOVE ALL BURRS AND BREAK SHARP EDGES .005/.010 X 45° INSIDE CORNERS TO BE R .02 MAX TOLERANCES: .XX ± .01 X/Y ± 1/64" .XXX ± .005 ANG ± 1° SURFACE FINISH 125 RMS MAX		
THIS DRAWING AND SPECIFICATION CONTAINS PROPRIETARY INFORMATION TO MAGTROL INC. ANY DISCLOSURE OR REPRODUCTION OF THIS DOCUMENT WITHOUT WRITTEN AUTHORIZATION FROM MAGTROL INC. IS EXPRESSLY PROHIBITED				DWG NO:	HD-710-0100	REV B
SIZE B		SCALE 1:8				

NOTE: DIMENSIONS IN [] ARE MILLIMETERS.