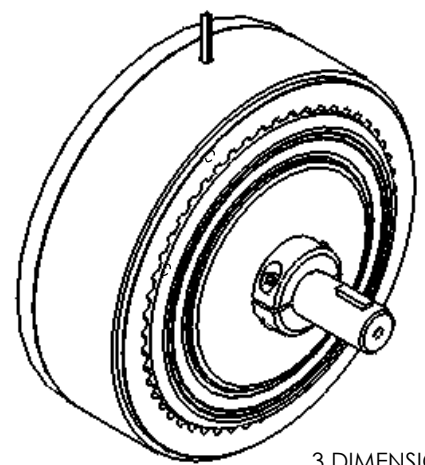
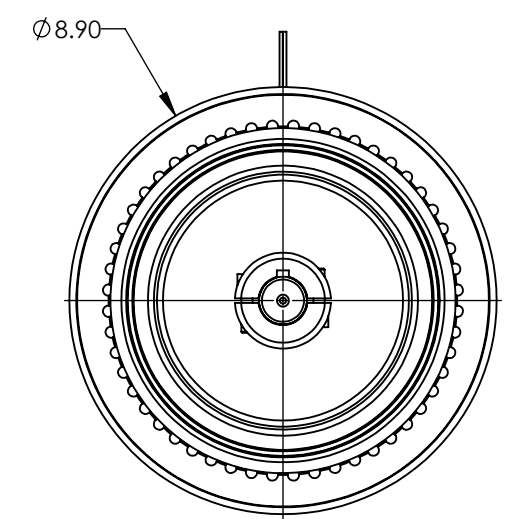
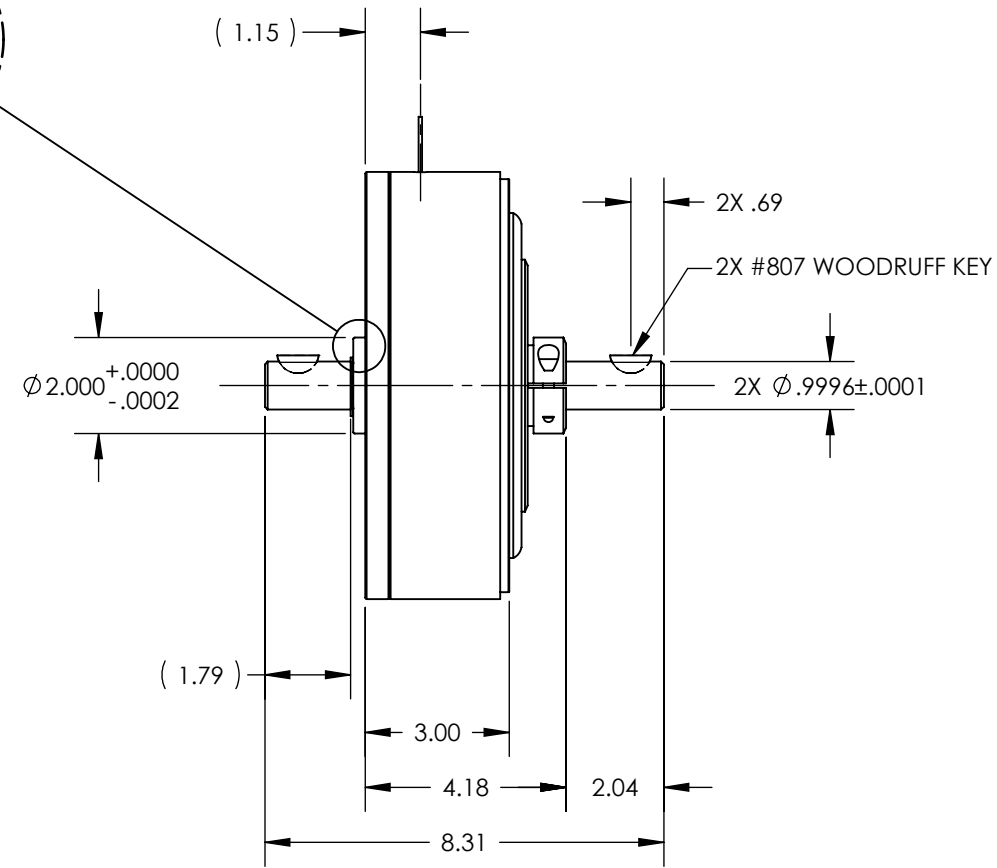
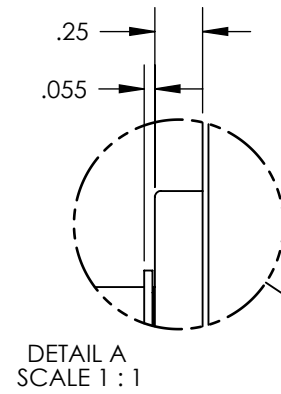
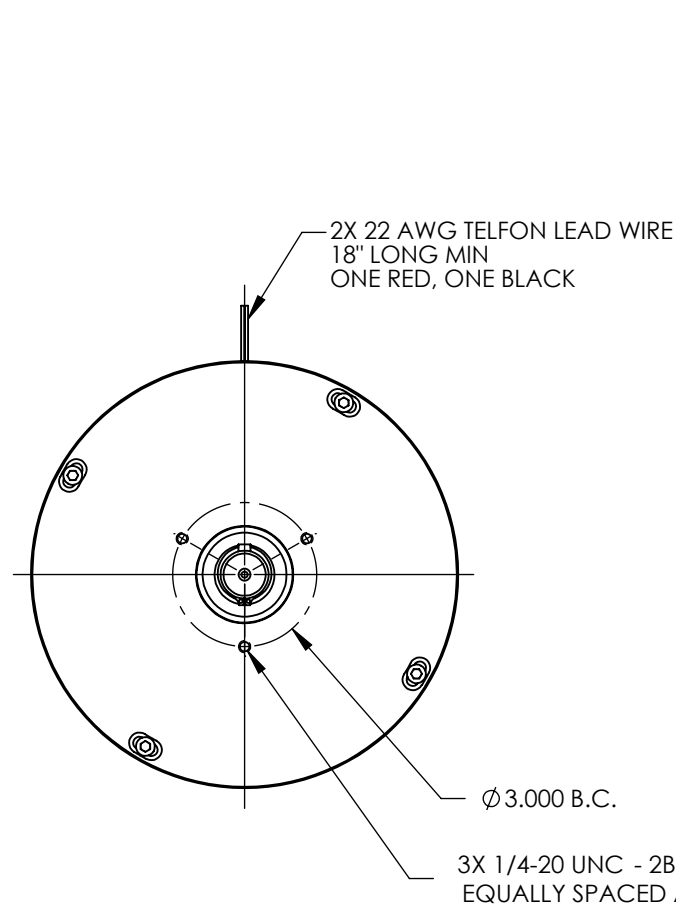


SOLID MODEL AVAILABLE


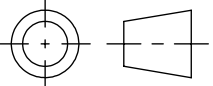
MODEL	COIL NUMBER (-X)	STOCK CODE	MIN. TORQUE AT RATED CURRENT (oz in)	RATED CURRENT (mA)	RESISTANCE ±10% @ 25°C (ohms)	VOLTAGE (Vdc)	NOMINAL POWER (watts)	MAXIMUM SPEED (RPM)	KINETIC POWER RATINGS		DE-ENERGIZED DRAG TORQUE @ 1000 RPM (oz in)	EXTERNAL INERTIA (lb in s ²)	TORQUE TO INERTIA RATIO (rad/s ²)
									5 MINUTE (watts)	CONTINUOUS (watts)			
MHB-1750-X	-1 (90 Vdc)	004771	1750	149	604	90	13.4	6,000	1,200	350	13	5.0 X 10 ⁻²	2,200
	-2 (24 Vdc)	004770		500	52	26	13						

UNLESS OTHERWISE SPECIFIED, BRAKES ARE TO BE MATCHED AT **RATED TORQUE @ RATED CURRENT**



3 DIMENSIONAL VIEW
SCALE 1:4

INSTALLATION DRAWING

MATERIAL:	DESIGN	-	-		MAGTROL INC. 70 GARDENVILLE PKWY, W. BUFFALO, NEW YORK 14224-1322	
	DRAWN	AJC	12/16/10			
FINISH:	CHECKED	JEF	12/16/10	TITLE: MHB-1750 MATCHED HYSTERESIS BRAKE		
	THIRD ANGLE PROJECTION 			UNLESS OTHERWISE SPECIFIED: DIMENSIONS ARE IN INCHES DIAMETERS CONCENTRIC: .003 TIR FACES PERPENDICULAR: .003 INTERPRETATION PER ASME Y14.5M-1994 REMOVE ALL BURRS AND BREAK SHARP EDGES .005/.010 X 45° INSIDE CORNERS TO BE R .02 MAX TOLERANCES: .XX ± .01 X/Y ± 1/64" .XXX ± .005 ANG ± 1° SURFACE FINISH 125 RMS MAX		
THIS DRAWING AND SPECIFICATION CONTAINS PROPRIETARY INFORMATION TO MAGTROL INC. ANY DISCLOSURE OR REPRODUCTION OF THIS DOCUMENT WITHOUT WRITTEN AUTHORIZATION FROM MAGTROL INC. IS EXPRESSLY PROHIBITED				DWG NO:	MHB-1750	REV A
SIZE B		SCALE 1:4				