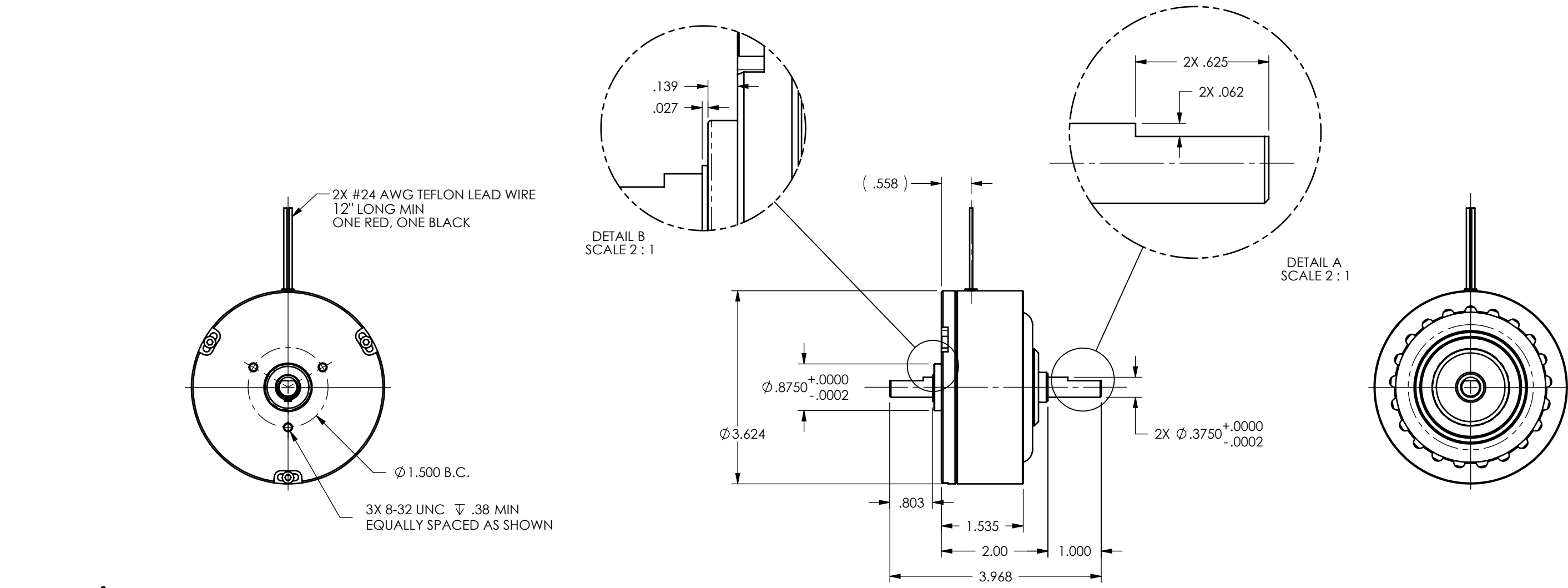


SOLID MODEL AVAILABLE

MODEL	COIL NUMBER (-X)	STOCK CODE	MIN. TORQUE AT RATED CURRENT (oz in)	RATED CURRENT (mA)	RESISTANCE ±10% @ 25°C (ohms)	VOLTAGE (Vdc)	NOMINAL POWER (watts)	MAXIMUM SPEED (RPM)	KINETIC POWER RATINGS		DE-ENERGIZED DRAG TORQUE @ 1000 RPM (oz in)	EXTERNAL INERTIA (lb in ²)	TORQUE TO INERTIA RATIO (rad/s ²)
									5 MINUTE (watts)	CONTINUOUS (watts)			
MHB-140-X	-1 (90 Vdc)	003537	140	60	1537	93	5.6	12,000	300	75	0.70	9.1 X 10 ⁻⁴	9,620
	-2 (24 Vdc)	003538		253	95	24	6.1						
	-3 (12 Vdc)	003539		504	23.2	11.7	5.9						

UNLESS OTHERWISE SPECIFIED, BRAKE IS TO BE MATCHED AT **RATED TORQUE @ RATED CURRENT**




2X #24 AWG TEFLON LEAD WIRE
12" LONG MIN
ONE RED, ONE BLACK

DETAIL B
SCALE 2 : 1

DETAIL A
SCALE 2 : 1

3 DIMENSIONAL VIEW
SCALE 1 : 2

INSTALLATION DRAWING

MATERIAL:	DESIGN	-	-	 MAGTROL INC. 70 GARDENVILLE PKWY, W. BUFFALO, NEW YORK 14224-1322
	DRAWN	AJC	01/07/11	
FINISH:	CHECKED	JEF	01/12/11	TITLE:
				MHB-140 MATCHED HYSTERESIS BRAKE
THIRD ANGLE PROJECTION	UNLESS OTHERWISE SPECIFIED: DIMENSIONS ARE IN INCHES DIAMETERS CONCENTRIC: .003 TIR FACES PERPENDICULAR: .003 INTERPRETATION PER ASME Y14.5M-1994 REMOVE ALL BURRS AND BREAK SHARP EDGES .005/.010 X 45° INSIDE CORNERS TO BE R .02 MAX TOLERANCES: .XX ± .01 X/Y ± 1/64" .XXX ± .005 ANG ± 1° SURFACE FINISH 125 RMS MAX			USED ON: - SIMILAR TO: -
THIS DRAWING AND SPECIFICATION CONTAINS PROPRIETARY INFORMATION TO MAGTROL INC. ANY DISCLOSURE OR REPRODUCTION OF THIS DOCUMENT WITHOUT WRITTEN AUTHORIZATION FROM MAGTROL INC. IS EXPRESSLY PROHIBITED				DWG NO:
				MHB-140
	SIZE	SCALE		REV
	B	1:2		A