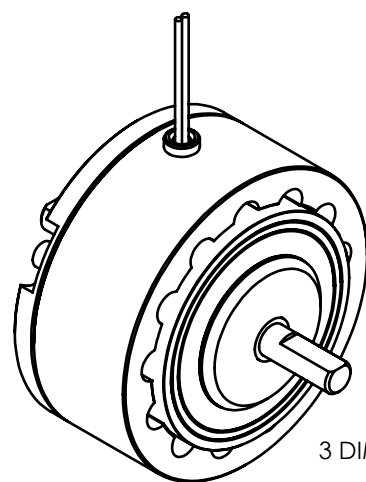
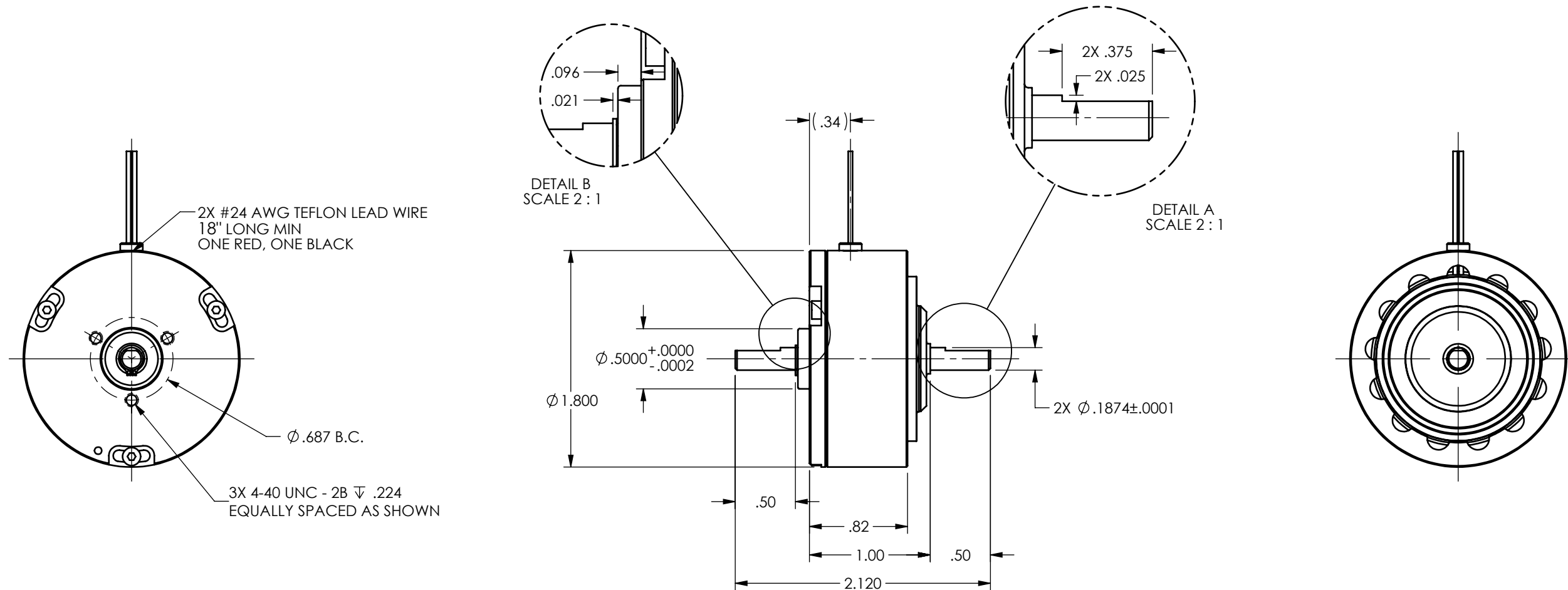


MODEL	COIL NUMBER (-X)	STOCK CODE	MINIMUM TORQUE AT RATED CURRENT (oz in)	RATED CURRENT (mA)	RESISTANCE ±10% @ 25°C (ohms)	VOLTAGE (Vdc)	NOMINAL POWER (watts)	MAXIMUM SPEED (RPM)	KINETIC POWER RATINGS		DE-ENERGIZED DRAG TORQUE @ 1000 RPM (oz in)	EXTERNAL INERTIA (lb in ²)	TORQUE TO INERTIA RATIO (rad/s ²)
									5 MINUTE (watts)	CONTINUOUS (watts)			
MHB-10-X	-1 (90 Vdc)	006750	10	38	1900	72	2.74	20,000	45	12	0.10	3.30 X 10 ⁻⁵	18,939
	-2 (24 Vdc)	006751		133	180	24	3.18						
	-3 (12 Vdc)	006752		270	45	12	3.28						


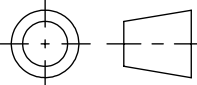
SOLID MODEL AVAILABLE

UNLESS OTHERWISE SPECIFIED, BRAKE IS TO BE MATCHED AT **RATED TORQUE @ RATED CURRENT**



3 DIMENSIONAL VIEW
SCALE 1:1

INSTALLATION DRAWING

MATERIAL: -	DESIGN	AJC	06/02/11		MAGTROL INC. 70 GARDENVILLE PKWY, W. BUFFALO, NEW YORK 14224-1322
	DRAWN	AJC	06/02/11		
FINISH: -	CHECKED	DTW	07/25/11	TITLE: MATCHED HYSTERESIS BRAKE	
	THIRD ANGLE PROJECTION 			UNLESS OTHERWISE SPECIFIED: DIMENSIONS ARE IN INCHES DIAMETERS CONCENTRIC: .003 TIR FACES PERPENDICULAR: .003 INTERPRETATION PER ASME Y14.5M-1994 REMOVE ALL BURRS AND BREAK SHARP EDGES .005/.010 X 45° INSIDE CORNERS TO BE R .02 MAX TOLERANCES: .XX ± .01 X/Y ± 1/64" .XXX ± .005 ANG ± 1° SURFACE FINISH 125 RMS MAX	
THIS DRAWING AND SPECIFICATION CONTAINS PROPRIETARY INFORMATION TO MAGTROL INC. ANY DISCLOSURE OR REPRODUCTION OF THIS DOCUMENT WITHOUT WRITTEN AUTHORIZATION FROM MAGTROL INC. IS EXPRESSLY PROHIBITED				DWG NO:	MHB-10
				USED ON: -	REV: -
				SIZE	B
				SCALE	1:1