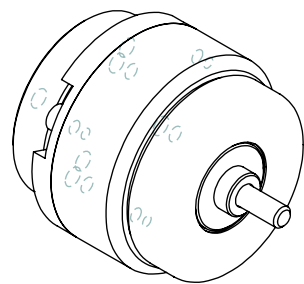
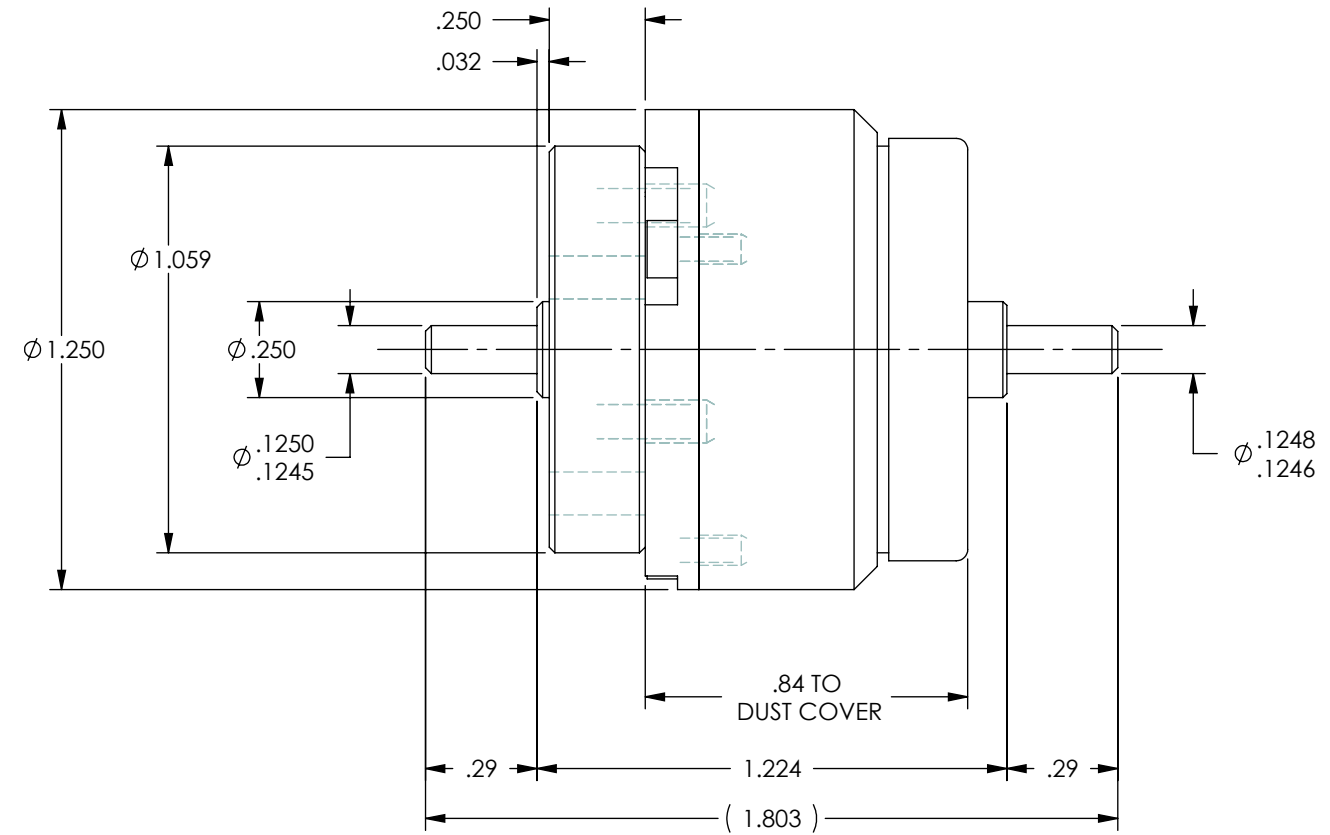
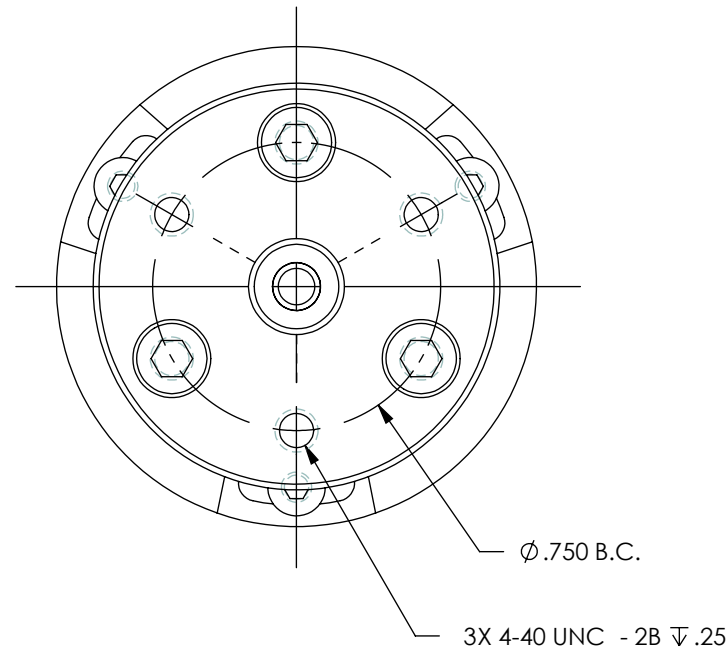

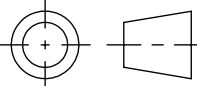


SOLID MODEL AVAILABLE

MODEL	STOCK CODE	MINIMUM TORQUE (oz in)	MAXIMUM SPEED (RPM)	KINETIC POWER RATINGS		EXTERNAL INERTIA (lb in s ²)	TORQUE TO INERTIA RATIO (rad/s ²)
				5 MINUTE (watts)	CONTINUOUS (watts)		
HPMC-2.5	004860	2.5	10,820	20	7	3.8 X 10 ⁻⁶	41,100



3 DIMENSIONAL VIEW
SCALE 1 : 1

MATERIAL:	DESIGN	AJC	03/15/02	 MAGTROL INC. 70 GARDENVILLE PKWY, W. BUFFALO, NEW YORK 14224-1322	
	DRAWN	AJC	03/15/02		
FINISH:	CHECKED	DTW	03/15/02		
THIRD ANGLE PROJECTION				TITLE HPMC-2.5 PERMANENT MAGNET CLUTCH	
THIS DRAWING AND SPECIFICATION CONTAINS PROPRIETARY INFORMATION TO MAGTROL INC. ANY DISCLOSURE OR REPRODUCTION OF THIS DOCUMENT WITHOUT WRITTEN AUTHORIZATION FROM MAGTROL INC. IS EXPRESSLY PROHIBITED	UNLESS OTHERWISE SPECIFIED: DIMENSIONS ARE IN INCHES, DIAMETERS CONCENTRIC: .003 TIR, FACES PERPENDICULAR: .003 INTERPRETATION PER ASME Y14.5M-1994 REMOVE ALL BURRS AND BREAK SHARP EDGES .005/.010 X 45°. ALL INSIDE CORNERS TO BE .02 R MAX. TOLERANCES: .XX ± .01 FRAC. ± 1/64" .XXX ± .005 ANG. ± 1° SURFACE FINISH 125 RMS MAX. U.O.S.			USED ON: - SIMILAR TO: - DWG. NO. HPMC-2.5	REV B
	SIZE	SCALE	SHEET #		
	B	2:1	2 OF 2		