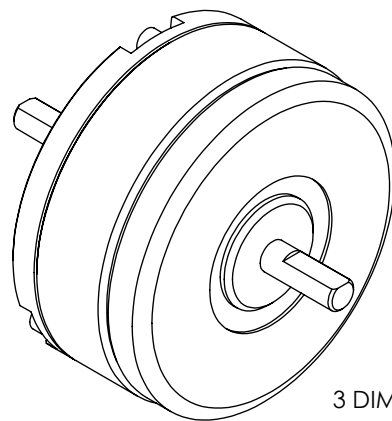
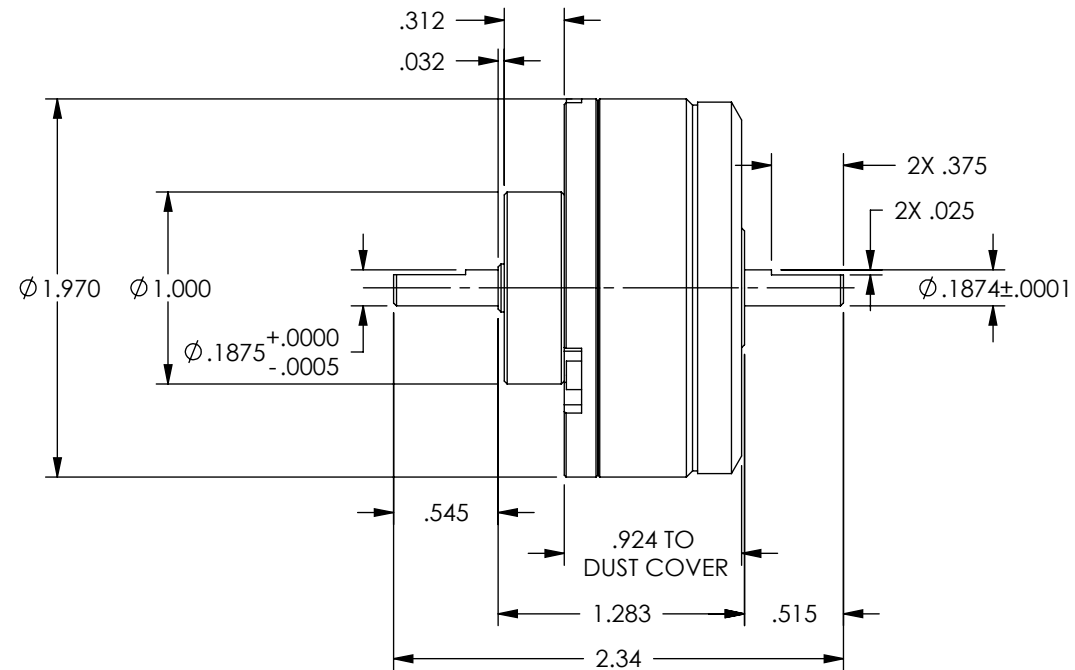
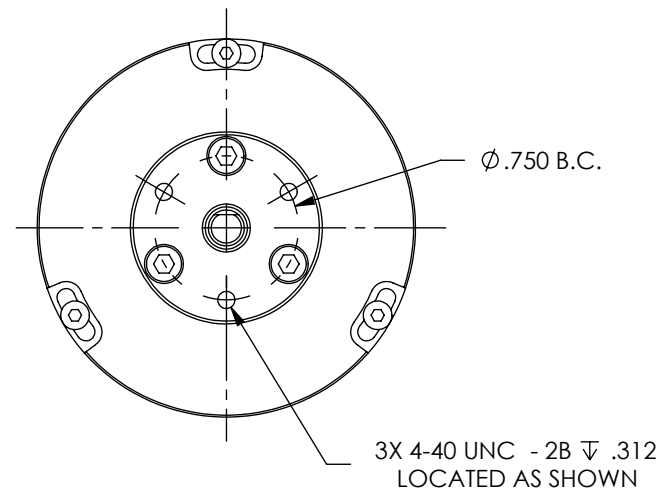

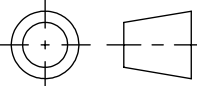


MODEL	STOCK CODE	MINIMUM TORQUE (oz in)	MAXIMUM SPEED (RPM)	KINETIC POWER RATINGS		EXTERNAL INERTIA (lb in s ²)	ANGULAR ACCELERATION (rad/s ²)
				5 MINUTE (watts)	CONTINUOUS (watts)		
HPMC-16	005789	16	6,340	75	20	5.6 X 10 ⁻⁵	17,900



3 DIMENSIONAL VIEW
SCALE 1:1

MATERIAL:	DESIGN	-	-	 MAGTROL INC. 70 GARDENVILLE PKWY, W. BUFFALO, NEW YORK 14224-1322
	DRAWN	AJC	08/23/06	
FINISH:	CHECKED	DTW	08/23/06	TITLE
THIRD ANGLE PROJECTION				HPMC-16 PERMANENT MAGNETIC CLUTCH
THIS DRAWING AND SPECIFICATION CONTAINS PROPRIETARY INFORMATION TO MAGTROL INC. ANY DISCLOSURE OR REPRODUCTION OF THIS DOCUMENT WITHOUT WRITTEN AUTHORIZATION FROM MAGTROL INC. IS EXPRESSLY PROHIBITED	UNLESS OTHERWISE SPECIFIED: DIMENSIONS ARE IN INCHES, DIAMETERS CONCENTRIC: .003 TIR, FACES PERPENDICULAR: .003 INTERPRETATION PER ASME Y14.5M-1994 REMOVE ALL BURRS AND BREAK SHARP EDGES .005/.010 X 45°, ALL INSIDE CORNERS TO BE .02 R MAX. TOLERANCES: .XX ± .01 FRAC. ± 1/64" .XXX ± .005 ANG. ± 1° SURFACE FINISH 125 RMS MAX. U.O.S.			USED ON: - SIMILAR TO: -
	DWG. NO.			HPMC-16
SIZE B		SCALE 1:1	SHEET # 2 OF 2	