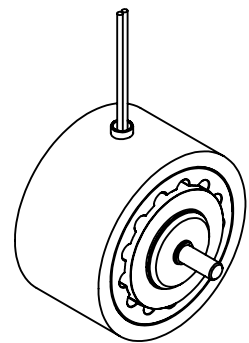
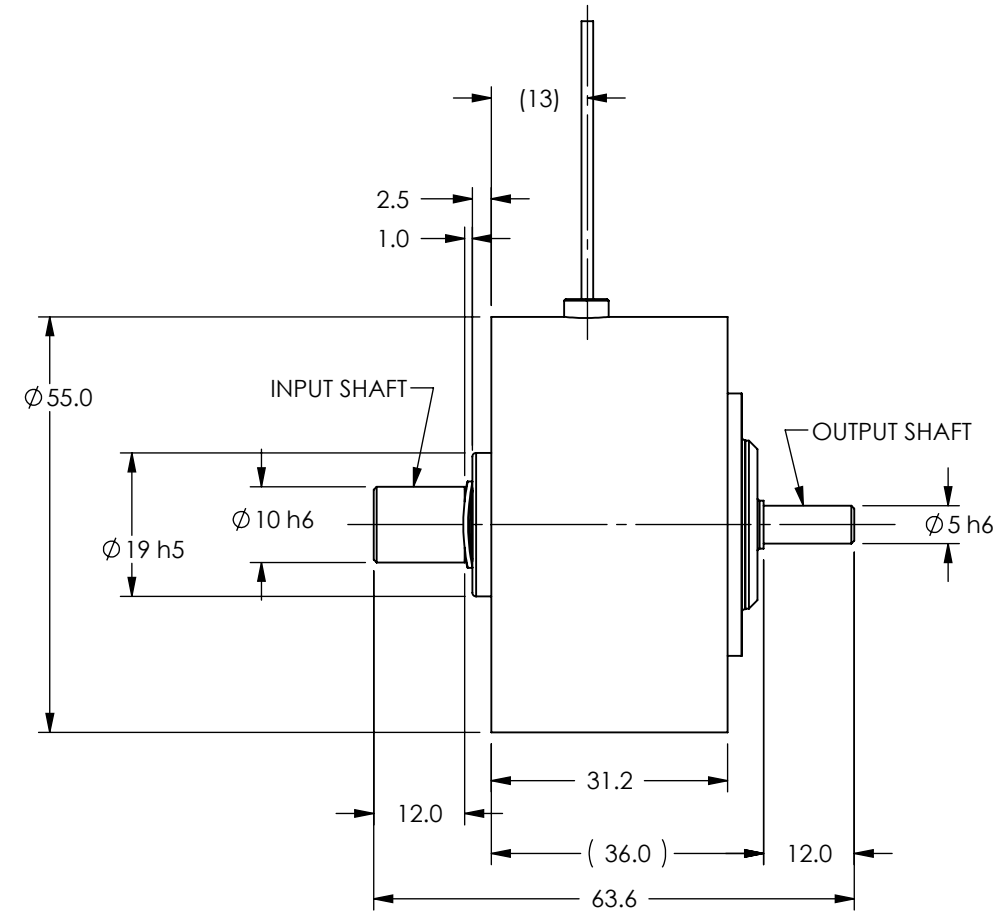
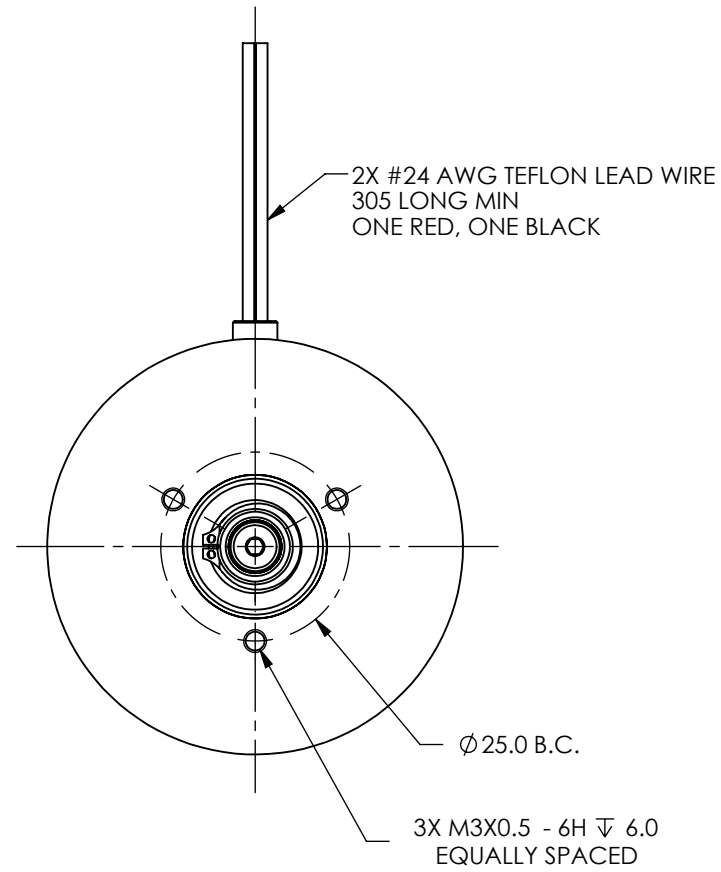



SOLID MODEL AVAILABLE

MODEL	COIL NUMBER	STOCK CODE	MINIMUM TORQUE AT RATED CURRENT (mNm)	RATED CURRENT (mA)	RESISTANCE ±10% @ 25°C (ohms)	VOLTAGE (Vdc)	NOMINAL POWER (watts)	MAXIMUM SPEED (RPM)	KINETIC POWER RATINGS		INPUT SHAFT DE-ENERGIZED DRAG TORQUE @ 1000 RPM (mNm)	OUTPUT SHAFT DE-ENERGIZED DRAG TORQUE @ 1000 RPM (mNm)	INPUT SHAFT INERTIA (kg cm <sup>2</sup> )	OUTPUT SHAFT INERTIA (kg cm <sup>2</sup> )
									5 MINUTE (watts)	CONTINUOUS (watts)				
HCF-8M	-1 (90 Vdc)	-	56.5	-	-	-	-	3,600	60	15	-	-	.299	.038
	-2 (24 Vdc)	006337	56.5	150	180	27	4.05							
	-3 (12 Vdc)	-	56.5	-	-	-	-							



3 DIMENSIONAL VIEW  
SCALE 1 : 2

MATERIAL:	DESIGN	AJC	10/19/06		<b>MAGTROL INC.</b> 70 GARDENVILLE PKWY, W. BUFFALO, NEW YORK 14224-1322
	DRAWN	AJC	06/09/08		
FINISH:	CHECKED	-	-	TITLE	
				HCF-8M HYSTERESIS CLUTCH	
THIRD ANGLE PROJECTION	UNLESS OTHERWISE SPECIFIED: DIMENSIONS ARE IN MILLIMETERS, DIAMETERS CONCENTRIC: .08 TIR, FACES PERPENDICULAR: .08 INTERPRETATION PER ASME Y14.5M-1994 REMOVE ALL BURRS AND BREAK SHARP EDGES .13/.25 X 45°, ALL INSIDE CORNERS TO BE .5 R MAX. TOLERANCES: X ± .4            .XX ± .13 .X ± .25        ANG. ± 1° SURFACE FINISH 3.2 µm MAX. U.O.S.			USED ON: -	REV
	THIS DRAWING AND SPECIFICATION CONTAINS PROPRIETARY INFORMATION TO MAGTROL INC. ANY DISCLOSURE OR REPRODUCTION OF THIS DOCUMENT WITHOUT WRITTEN AUTHORIZATION FROM MAGTROL INC. IS EXPRESSLY PROHIBITED			SIMILAR TO: SK06OCT11	-
				DWG. NO.	HCF-8M
	SIZE	SCALE	SHEET #		
	B	1:1	3 OF 3		