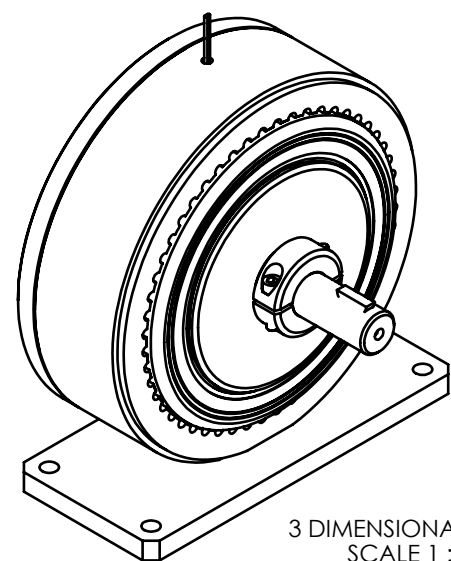
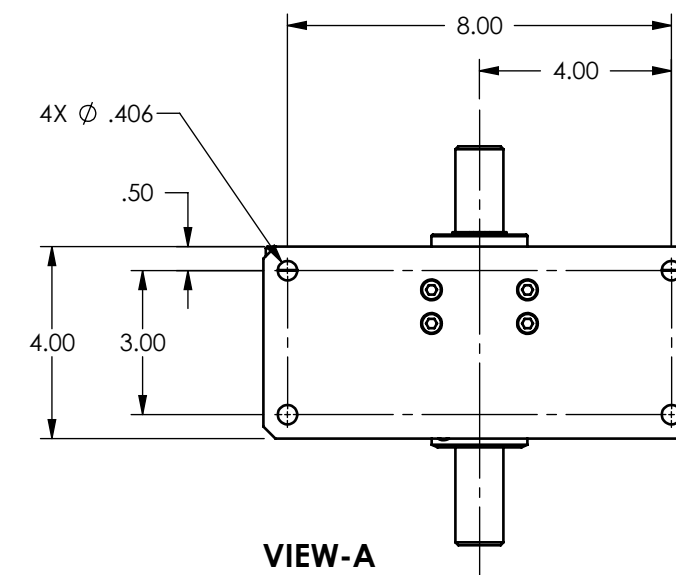
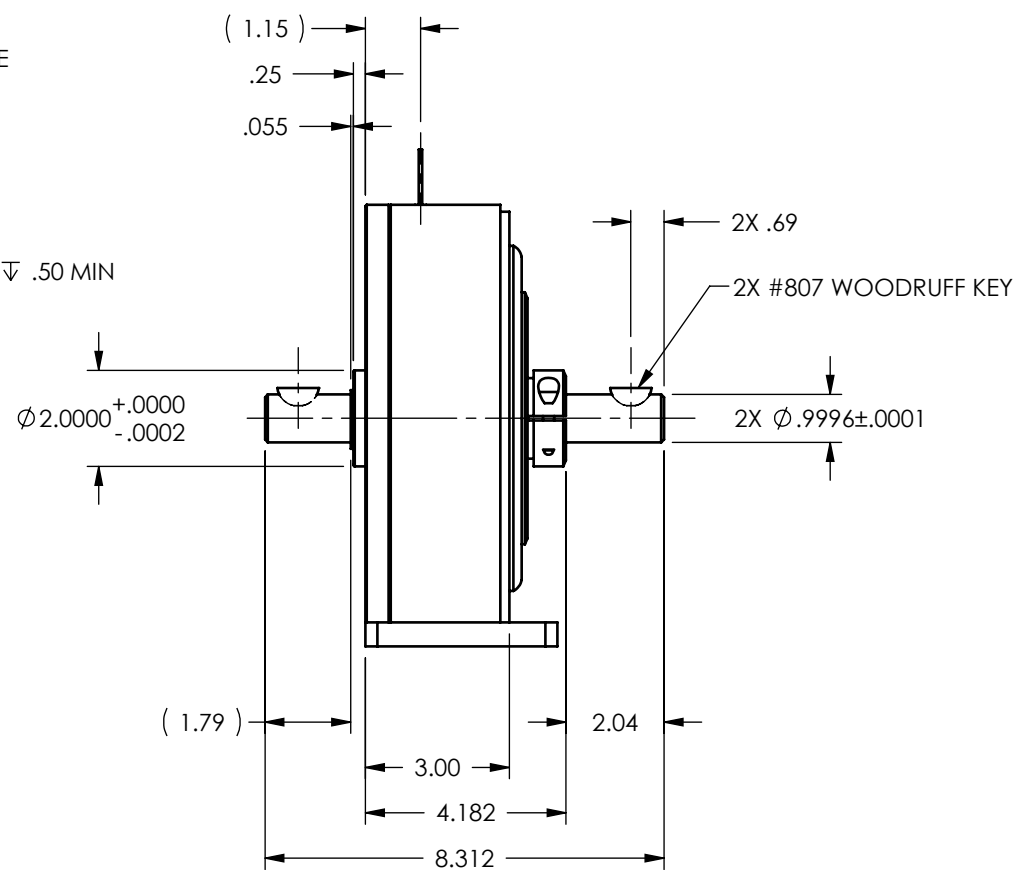
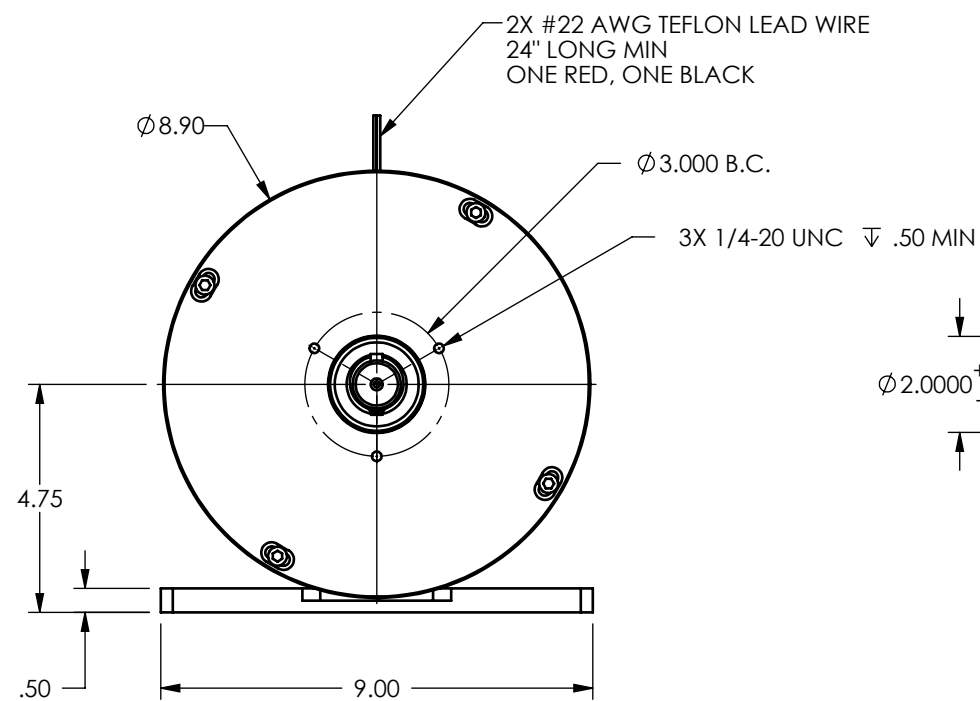

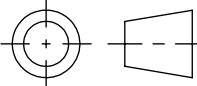


MODEL	COIL NUMBER (-X)	STOCK CODE	MIN. TORQUE AT RATED CURRENT (oz in)	RATED CURRENT (mA)	RESISTANCE ±10% @ 25°C (ohms)	VOLTAGE (Vdc)	NOMINAL POWER (watts)	MAXIMUM SPEED (RPM)	KINETIC POWER RATINGS		DE-ENERGIZED DRAG TORQUE @ 1000 RPM (oz in)	EXTERNAL INERTIA (lb in s ²)	TORQUE TO INERTIA RATIO (rad/s ²)
									5 MINUTE (watts)	CONTINUOUS (watts)			
HB-1751-X	-1 (90 Vdc)	004454	1750	149	604	90	13.4	6,000	1,200	350	13	5.28 X 10 ⁻²	2,070
	-2 (24 Vdc)	004455		500	52	26	13.0						

SOLID MODEL AVAILABLE



3 DIMENSIONAL VIEW
SCALE 1 : 4

MATERIAL:	DESIGN	DTW	11/07/03	 MAGTROL INC. 70 GARDENVILLE PKWY, W. BUFFALO, NEW YORK 14224-1322
	DRAWN	AJC	04/28/08	
FINISH:	CHECKED	AJC	04/28/08	
THIRD ANGLE PROJECTION				TITLE HB-1751 HYSTERESIS BRAKE
THIS DRAWING AND SPECIFICATION CONTAINS PROPRIETARY INFORMATION TO MAGTROL INC. ANY DISCLOSURE OR REPRODUCTION OF THIS DOCUMENT WITHOUT WRITTEN AUTHORIZATION FROM MAGTROL INC. IS EXPRESSLY PROHIBITED	UNLESS OTHERWISE SPECIFIED: DIMENSIONS ARE IN INCHES, DIAMETERS CONCENTRIC: .003 TIR, FACES PERPENDICULAR: .003 INTERPRETATION PER ASME Y14.5M-1994 REMOVE ALL BURRS AND BREAK SHARP EDGES .005/.010 X 45°. ALL INSIDE CORNERS TO BE .02 R MAX. TOLERANCES: .XX ± .01 FRAC. ± 1/64" .XXX ± .005 ANG. ± 1° SURFACE FINISH 125 RMS MAX. U.O.S.			USED ON: - SIMILAR TO: -
	DWG. NO. HB-1751			REV B
SIZE B		SCALE 1:4	SHEET # 2 OF 2	