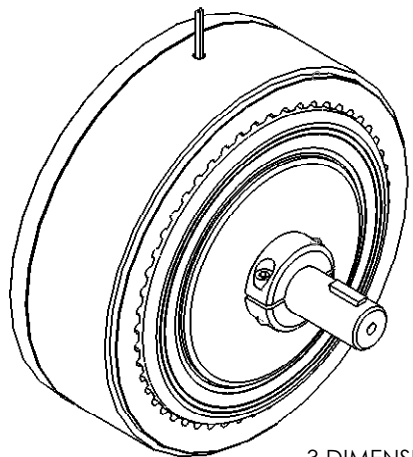
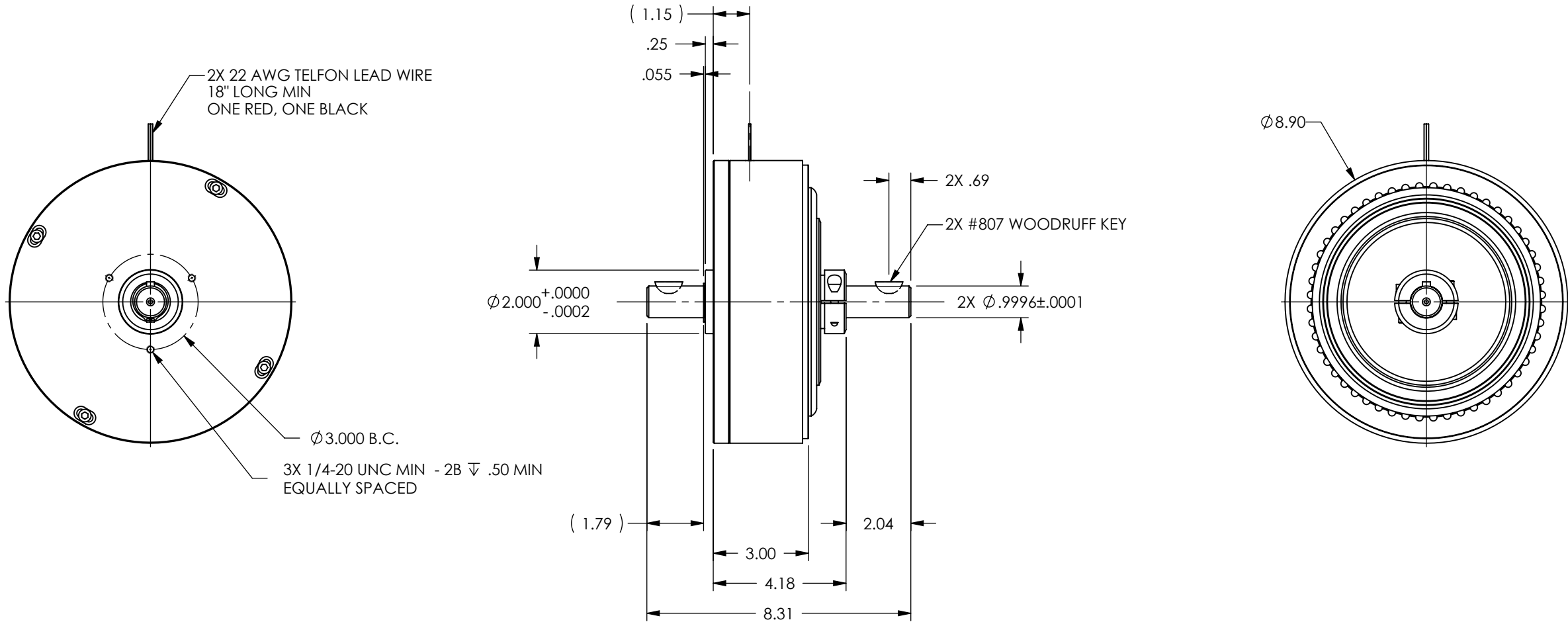



MODEL	COIL NUMBER	STOCK CODE	MIN. TORQUE AT RATED CURRENT (oz in)	RATED CURRENT (mA)	RESISTANCE ±10% @ 25°C (ohms)	VOLTAGE (Vdc)	NOMINAL POWER (watts)	MAXIMUM SPEED (RPM)	KINETIC POWER RATINGS		DE-ENERGIZED DRAG TORQUE @ 1000 RPM (oz in)	EXTERNAL INERTIA (lb in s ²)	TORQUE TO INERTIA RATIO (rad/s ²)
									5 MINUTE (watts)	CONTINUOUS (watts)			
HB-1750	-1 (90 Vdc)	004424	1750	149	604	90	13.4	6,000	1,200	350	13	5.28 X 10 ⁻²	2,070
	-2 (24 Vdc)	004416		500	52	26	13						
	-3 (12 Vdc)	-		-	-	-	-						

SOLID MODEL AVAILABLE



3 DIMENSIONAL VIEW
SCALE 1 : 4

MATERIAL:	DESIGN	-	-		MAGTROL INC. 70 GARDENVILLE PKWY, W. BUFFALO, NEW YORK 14224-1322	
FINISH:	DRAWN	AJC	07/01/04		TITLE HB-1750, HYSTERESIS BRAKE	
THIRD ANGLE PROJECTION	CHECKED	DTW	07/01/04	UNLESS OTHERWISE SPECIFIED: DIMENSIONS ARE IN INCHES, DIAMETERS CONCENTRIC: .003 TIR, FACES PERPENDICULAR: .003 INTERPRETATION PER ASME Y14.5M-1994 REMOVE ALL BURRS AND BREAK SHARP EDGES .005/.010 X 45°, ALL INSIDE CORNERS TO BE .02 R MAX. TOLERANCES: .XX ± .01 FRAC. ± 1/64" .XXX ± .005 ANG. ± 1° SURFACE FINISH 125 RMS MAX. U.O.S.		
THIS DRAWING AND SPECIFICATION CONTAINS PROPRIETARY INFORMATION TO MAGTROL INC. ANY DISCLOSURE OR REPRODUCTION OF THIS DOCUMENT WITHOUT WRITTEN AUTHORIZATION FROM MAGTROL INC. IS EXPRESSLY PROHIBITED	DWG. NO.			HB-1750	REV D	
	SIZE B	SCALE 1:4	SHEET # 2 OF 2			