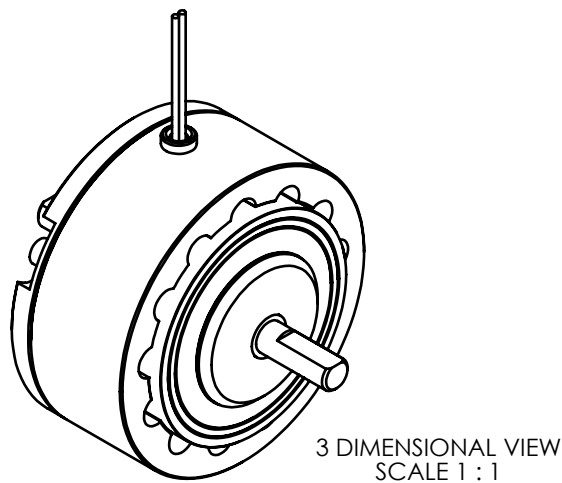
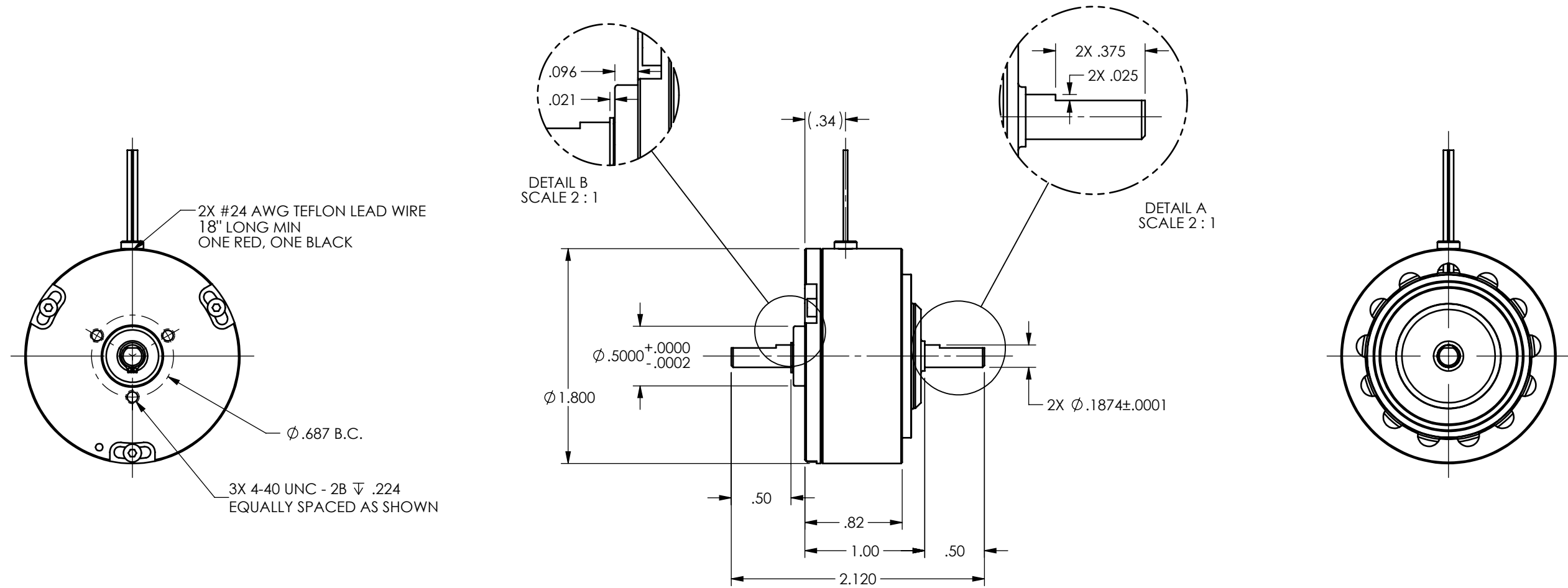

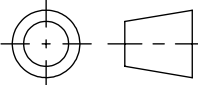


MODEL	COIL NUMBER (-X)	STOCK CODE	MINIMUM TORQUE AT RATED CURRENT (oz in)	RATED CURRENT (mA)	RESISTANCE ±10% @ 25°C (ohms)	VOLTAGE (Vdc)	NOMINAL POWER (watts)	MAXIMUM SPEED (RPM)	KINETIC POWER RATINGS		DE-ENERGIZED DRAG TORQUE @ 1000 RPM (oz in)	EXTERNAL INERTIA (lb in <sup>2</sup> )	TORQUE TO INERTIA RATIO (rad/s <sup>2</sup> )
									5 MINUTE (watts)	CONTINUOUS (watts)			
HB-10-X	-1 (90 Vdc)	006747	10	38	1900	72	2.74	20,000	45	12	0.10	3.30 X 10 <sup>-5</sup>	18,939
	-2 (24 Vdc)	006748		133	180	24	3.18						
	-3 (12 Vdc)	006749		270	45	12	3.28						

**SOLID MODEL AVAILABLE**



**INSTALLATION DRAWING**

MATERIAL:	DESIGN	AJC	06/02/11	 <b>MAGTROL INC.</b> 70 GARDENVILLE PKWY, W. BUFFALO, NEW YORK 14224-1322
	DRAWN	AJC	06/02/11	
FINISH:	CHECKED	DTW	07/25/11	
THIRD ANGLE PROJECTION				TITLE:
THIS DRAWING AND SPECIFICATION CONTAINS PROPRIETARY INFORMATION TO MAGTROL INC. ANY DISCLOSURE OR REPRODUCTION OF THIS DOCUMENT WITHOUT WRITTEN AUTHORIZATION FROM MAGTROL INC. IS EXPRESSLY PROHIBITED	UNLESS OTHERWISE SPECIFIED: DIMENSIONS ARE IN INCHES DIAMETERS CONCENTRIC: .003 TIR FACES PERPENDICULAR: .003 INTERPRETATION PER ASME Y14.5M-1994 REMOVE ALL BURRS AND BREAK SHARP EDGES .005/.010 X 45° INSIDE CORNERS TO BE R .02 MAX TOLERANCES: .XX ± .01 X/Y ± 1/64" .XXX ± .005 ANG ± 1° SURFACE FINISH 125 RMS MAX			TITLE:
				USED ON: -
				SIMILAR TO: 003503, 003504, 003505
				DWG NO:
				HB-10
				REV
				-
SIZE	SCALE			
B	1:1			