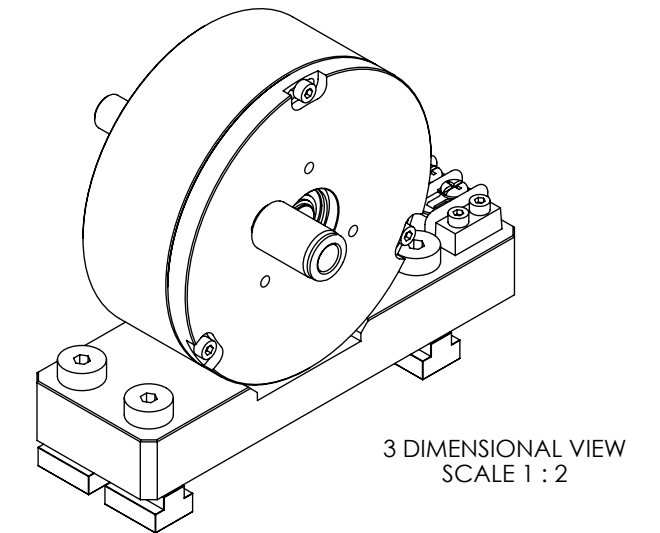
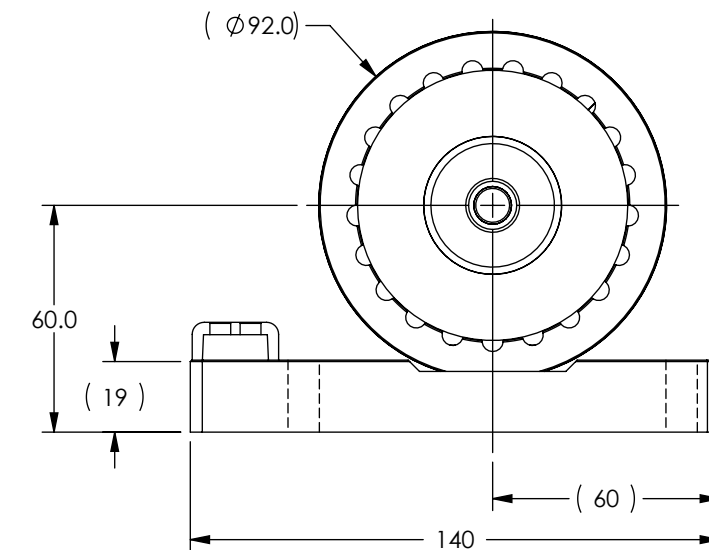
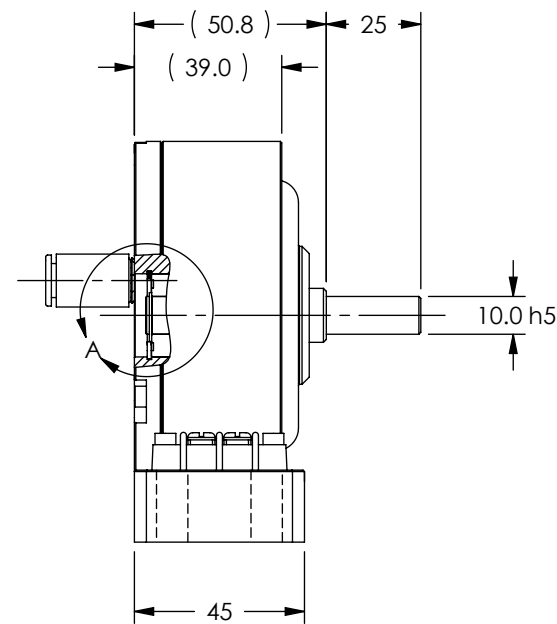
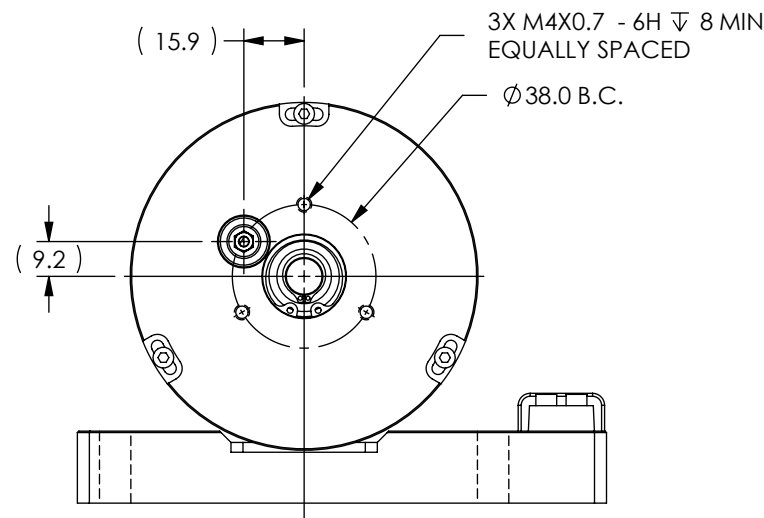
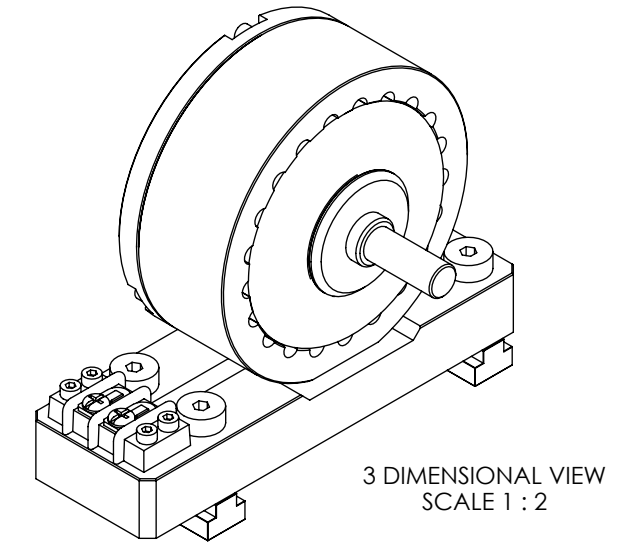
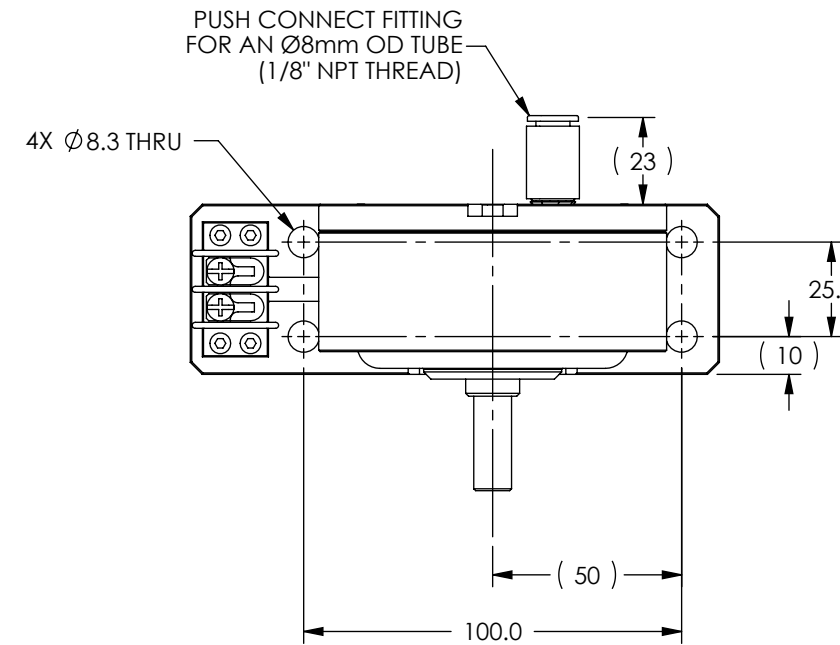
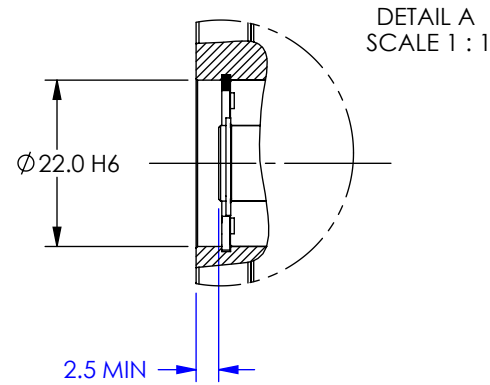


MODEL	STOCK CODE	MINIMUM TORQUE AT RATED CURRENT (Nm)	RATED CURRENT (mA)	RESISTANCE $\pm 10\%$ @ 25°C (ohms)	VOLTAGE (Vdc)	NOMINAL POWER (watts)	MAXIMUM SPEED (RPM)	KINETIC POWER RATINGS			DE-ENERGIZED DRAG TORQUE @ 1000 RPM (Nm)	EXTERNAL INERTIA (kg cm ²)	TORQUE TO INERTIA RATIO (rad/s ²)
								AIR SUPPLY* (kPa)	5 MINUTE (watts)	CONTINUOUS (watts)			
AHB-1	005676	1.0	400	60	24	9.6	25,000	620 \pm 35	1200	1200	5.42 x 10 ⁻³	8.76 x 10 ⁻¹	11,420
								NO AIR	250	55			

SOLID MODEL AVAILABLE


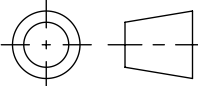
- * AIR SUPPLY NOTES:
 • CUSTOMER IS TO SUPPLY CLEAN, DRY AIR.
 • APPROXIMATE AIR CONSUMPTION IS: 283 liter/minute @ 620 kPa



TYPICAL SOUND PRESSURE: 110db



WARNING: HIGH SOUND LEVELS CAN CAUSE PERMANENT HEARING LOSS. USE HEARING PROTECTION WHILE THIS PRODUCT IS IN USE.

MATERIAL:	DESIGN	JEF	07/14/05	 MAGTROL INC. 70 GARDENVILLE PKWY, W. BUFFALO, NEW YORK 14224-1322
FINISH:	DRAWN	JEF	09/29/05	
	CHECKED	AJC	08/09/07	
THIRD ANGLE PROJECTION				TITLE AHB-1, AIR COOLED HYSTERESIS BRAKE
THIS DRAWING AND SPECIFICATION CONTAINS PROPRIETARY INFORMATION TO MAGTROL INC. ANY DISCLOSURE OR REPRODUCTION OF THIS DOCUMENT WITHOUT WRITTEN AUTHORIZATION FROM MAGTROL INC. IS EXPRESSLY PROHIBITED				
UNLESS OTHERWISE SPECIFIED: DIMENSIONS ARE IN MILLIMETERS, DIAMETERS CONCENTRIC: .08 TIR, FACES PERPENDICULAR: .08 INTERPRETATION PER ASME Y14.5M-1994 REMOVE ALL BURRS AND BREAK SHARP EDGES .13/.25 X 45°, ALL INSIDE CORNERS TO BE .5 R MAX. TOLERANCES: X \pm .4 .XX \pm .13 .X \pm .25 ANG. \pm 1° SURFACE FINISH 3.2 μ m MAX. U.O.S.				USED ON: - SIMILAR TO: - DWG. NO.
SIZE B			SCALE 1:2	SHEET # 3 OF 3
REV C			AHB-1	