
BK Series Bellow Couplings

FEATURES

- For use with Magtrol TF 209 – TF 215 Torque Flange Sensors
- Compact and light
- Easy to mount

DESIGN

- Balancing G 6.3 / ISO 1940
(G 2.5 is possible on request for higher speed)
- Aluminium and stainless steel construction



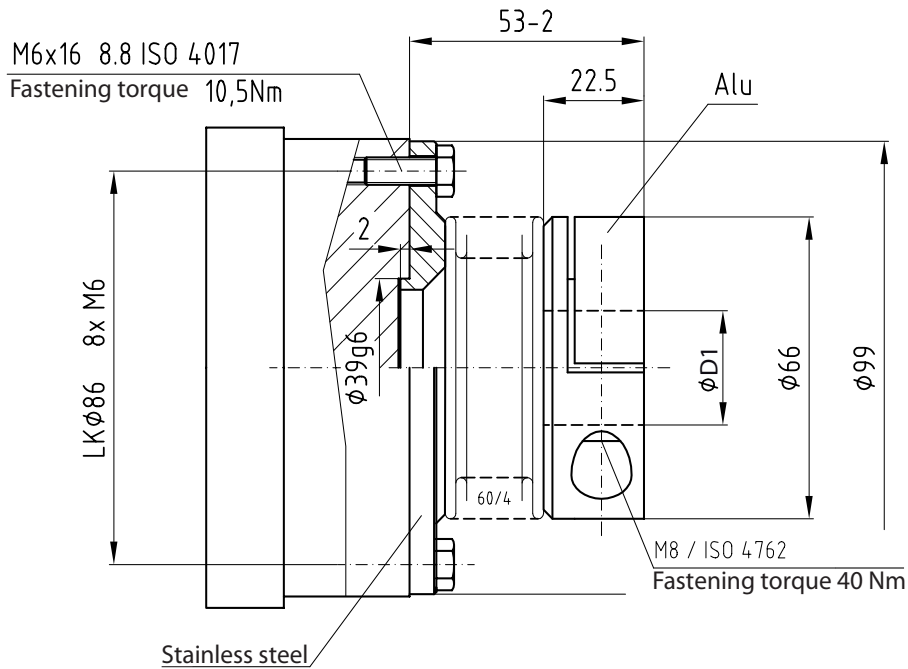
TF 210 with BKC 060

RATINGS

Coupling Model	For Torque Model	Rated Torque	Rated Torque Coupling	Max. Torque Coupling With Key	Torsional Stiffness	Moment of Inertia	Misalignment		Max. Speed G 6.3	Max. Speed G 2.5	ØD1 H7
							Axial	Radial			
	TF	N-m	N-m	N-m	N-m/rad	kg·m ²	mm	mm	rpm	rpm	mm
BKC 60/xx	TF 209	20	100	200	9.31E+4	0,534E-3	0.5	0.1	10000	17000	14-35
BKC 60/xx	TF 210	50	100	200	9.31E+4	0,534E-3	0.5	0.1	10000	17000	14-35
BKC 150/xx	TF 211	100	200	400	4.02E+5	1,28E-3	0.5	0.1	6000	17000	19-42
BKC 150/xx	TF 212	200	200	400	4.02E+5	1,28E-3	0.5	0.1	6000	17000	19-42
BK2 800/xx	TF 213	500	500	1000	1.94E+6	12,7E-3	0.5	0.1	4500	13000	40-75
BK2 800/xx	TF 214	1000	1000	2000	1.94E+6	12,7E-3	0.5	0.1	4500	13000	40-75
BK2 1500/xx	TF 215	2000	2000	4000	5.40E+6	78,33E-3	0.5	0.1	3000	10000	50-80
N/A	TF 216	5000	N/A	N/A	N/A	N/A	N/A	N/A	N/A	N/A	N/A
N/A	TF 217	10000	N/A	N/A	N/A	N/A	N/A	N/A	N/A	N/A	N/A
N/A	TF 218	20000	N/A	N/A	N/A	N/A	N/A	N/A	N/A	N/A	N/A
N/A	TF 219	50000	N/A	N/A	N/A	N/A	N/A	N/A	N/A	N/A	N/A

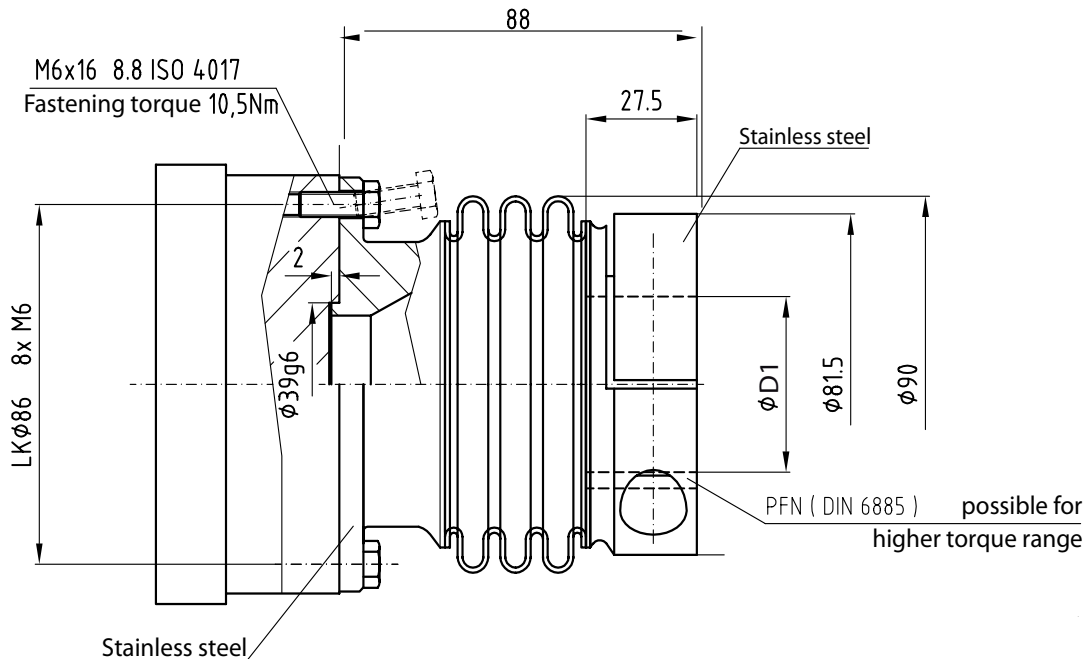
BELLOW COUPLINGS FOR TF 209-TF 210 SENSORS

BKC 060/xx



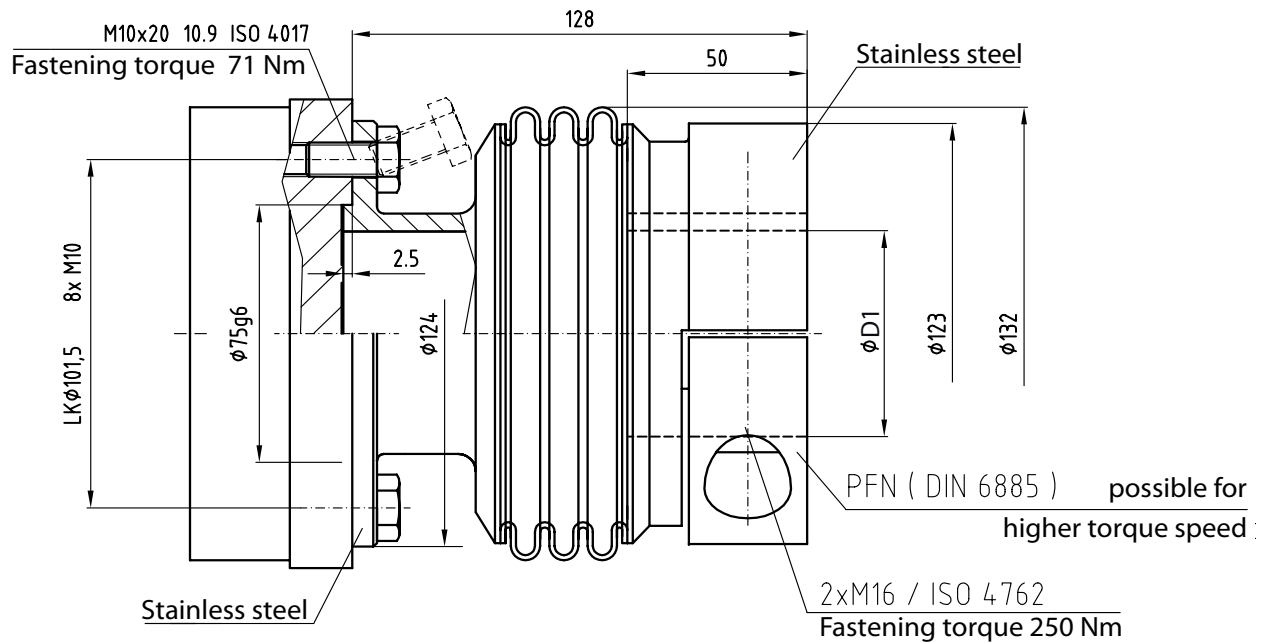
BELLOW COUPLINGS FOR TF 211-TF 212 SENSORS

BKC 150/xx



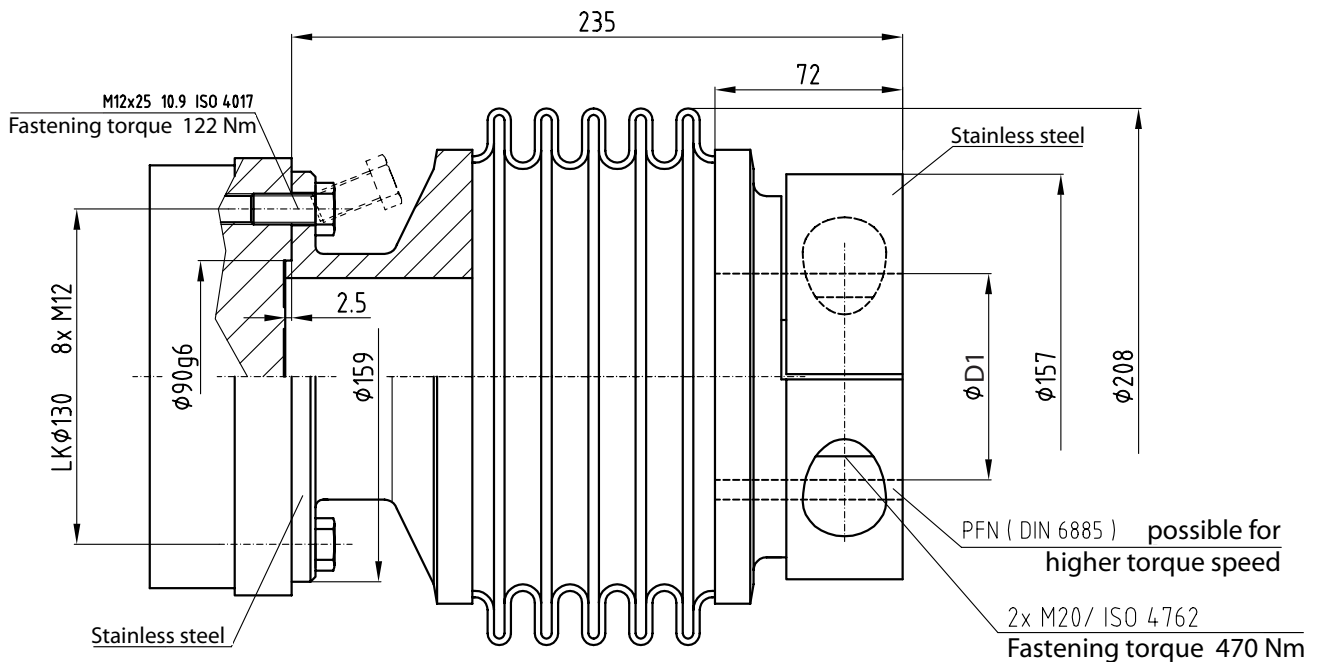
BELLOW COUPLINGS FOR TF 213-TF 214 SENSORS

BK2 800/xx



BELLOW COUPLINGS FOR TF 215 SENSORS

BK2 1500/xx



TF Torque Flange Sensor	R+W Bellow couplings	Housing diameter D1 - H7 [mm]
TF 209 and TF 210	BKC 060/xx	14 - 35
TF 211 and TF 212	BKC 150/xx	19 - 42
TF 213 and TF 214	BK2 800/xx	40 - 75
TF 215	BK2 1500/xx	50 - 80
TF 216	N/A	N/A
TF 217	N/A	N/A
TF 218 and 219	N/A	N/A

Due to the continual development of our products, we reserve the right to modify specifications without forewarning.



www.magtrol.com

MAGTROL INC

70 Gardenville Parkway
Buffalo, New York 14224 USA
Phone: +1 716 668 5555
Fax: +1 716 668 8705
E-mail: magtrol@magtrol.com

MAGTROL SA

Route de Montena 77
1728 Rossens/Fribourg, Switzerland
Phone: +41 (0)26 407 3000
Fax: +41 (0)26 407 3001
E-mail: magtrol@magtrol.ch

Subsidiaries in:

Great Britain
Germany • France
China • India
Worldwide Network
of Sales Agents

